



ULTRA CLEAN

**LED Architectural
Linear Fixture**





Designed as a sleek, stylish and energy-efficient lighting for various applications: corridors, stairwells, hallways, office areas, libraries and hospitals, Blue Ocean's BOLMX811C Series LED Architectural Linear Fixtures deliver high-quality, clean and comfort direct or direct/indirect illumination, professionally engineered with superior LM-80 rated LED chips, high-efficiency driver, and thermal and lumen balanced engines, producing high lumen output at up to 115lm/W and superior quality light, with excellent thermal control. LEDs with high-ranked binning ensure buzz and flicker free light, with excellent colour uniformity and accurate colour rendering.



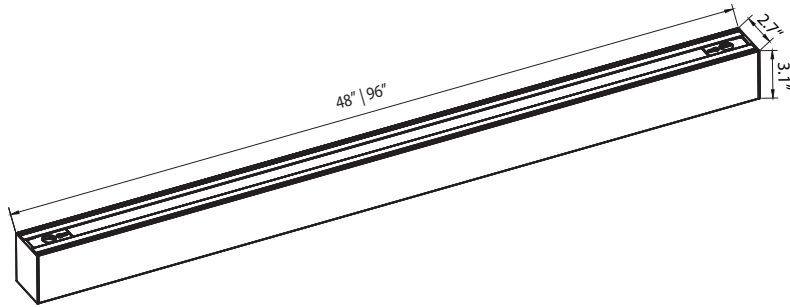
Delivering a 120° Beam, it's opal polycarbonate lens is firmly enclosed, preventing penetration of dust and insects. Product is 0-10V dimmable. With suspended, flush, recessed & wall mounted installations available, and straight linear connection & L/T/X turning corner connections available, this Architectural Linear Fixture system allows various customizable aesthetically-pleasing special designs.

LED ARCHITECTURAL LINEAR FIXTURE BOLMX811C

FEATURES

- Architectural linear luminaire with options of direct lighting and direct/indirect lighting
- 4-foot and 8-foot length options
- Downlight and Up/Downlight distribution options
- Up to 115lm/W
- Opal polycarbonate lens with 120° Beam
- Enclosed lens preventing penetration of dust and insects
- Engineered with superior LM-80 rated LED chips
- Excellent efficiency driver
- Thermal and lumen balanced engines
- High lumen output, superior light quality with excellent thermal control
- 0-10V flicker-free dimming
- Suitable for suspended, flush, recessed and wall mounted installations
- Flexible installation designs for continuous connection or turning-corner connection
- Continuously illuminated lens
- Available with lit corners -- L/T/X shaped Joints
- cULus listed
- 5 years warranty

DRAWING



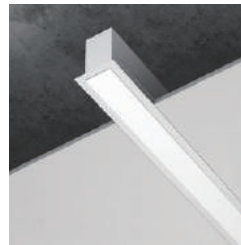
MOUNTING



Suspended Mount



Surface Mount

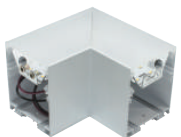


Recessed Mount



Wall Mount

JOINTS



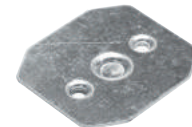
L Shape Joint



T Shape Joint



X Shape Joint



Extension Joint

ITEM SUMMARY TABLE

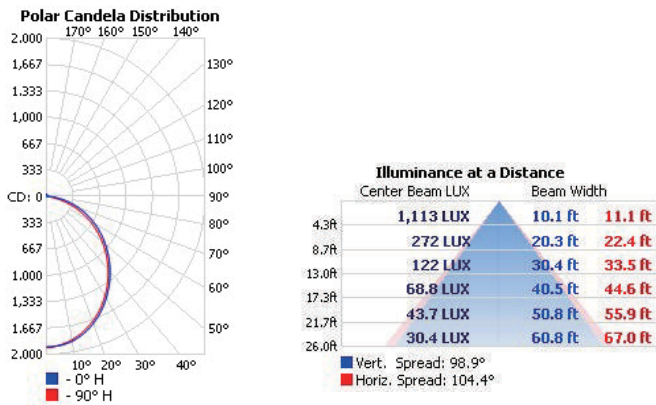
Model Number	Length	Distribution	Wattage	Lumen	CCT	Mounting Options
BOLMX811CLM04014BXXD	4FT	Down	40W	4600lm	3500K 4000K	Suspend Wall Mount Surface Recessed
BOLMX811CLM04014BXXUD	4FT	Up/Down	40W	4600lm (67% Down/33% UP)	3500K 4000K	Suspend Wall Mount
BOLMX811CLM04014BXXD	8FT	Down	80W	9200lm	3500K 4000K	Suspend Wall Mount Surface Recessed
BOLMX811CLM08018BXXUD	8FT	Up/Down	80W	9200lm (67% Down/33% UP)	3500K 4000K	Suspend Wall Mount

OTHER SPECIFICATIONS

Model	BOLMX811C	CRI	>80
Length	4FT 8FT	PFC	>0.98
Voltage	120-277VAC	CCT	3500K 4000K
Wattage	40W 80W	Beam Angle	120°
Replacement	4FT 2 Lamp T8 4FT 4 lamp T8	Dimension	48"X3.1"X2.7" 96"X3.1"X2.7"
Lumen Output	4600lm 9200lm	Operating Temperature	-25~40°C
		Dimming	0-10V Dimmable

PHOTOMETRICS

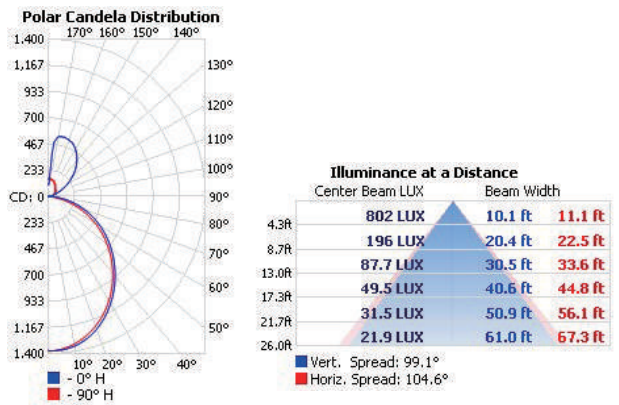
Down:



Zonal Lumen Summary

Zone	Lumens	% Lamp	% Luminaire
0-30	1,433.9	4779.6%	29.2%
0-40	2,299.1	7663.6%	46.9%
0-60	3,914.1	13047.1%	79.8%
60-90	928.8	3096.1%	18.9%
70-100	379.3	1264.5%	7.7%
90-120	18.9	63.1%	0.4%
0-90	4,842.9	16143.1%	98.8%
90-180	59.2	197.4%	1.2%
0-180	4,902.2	16340.6%	100%

Up/Down:



Zonal Lumen Summary

Zone	Lumens	% Lamp	% Luminaire
0-30	1,033.2	22%	22%
0-40	1,656.9	35.3%	35.3%
0-60	2,822.9	60.1%	60.1%
60-90	678.2	14.4%	14.5%
70-100	294.5	6.3%	6.3%
90-120	216.0	4.6%	4.6%
0-90	3,501.1	74.6%	74.6%
90-180	1,192.0	25.4%	25.4%
0-180	4,693.2	100%	100%

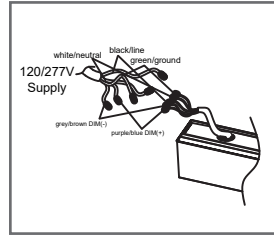
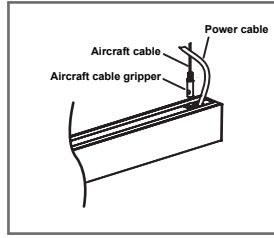
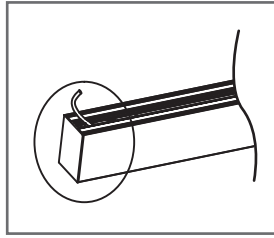
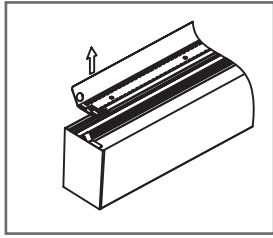
ORDERING INFORMATION

Seris No. BOLMX	Type 811C	Lens LM=Milky	Wattage 040=40W ¹ 080=80W	Dimension 14B=4 FT 18B=8 FT	CCT 35=3500K 40=4000K	Beam D=Downlight UD=Up and Downlight	Mounting Blank=Surface Mount ² RC=Recessed Clip ³ SC=Suspension Chain WM=Wall Mount
---------------------------	---------------------	-------------------------	---	--	------------------------------------	--	--

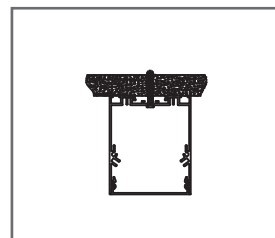
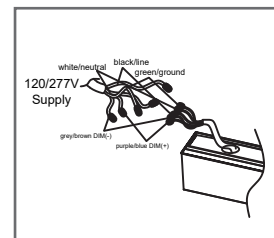
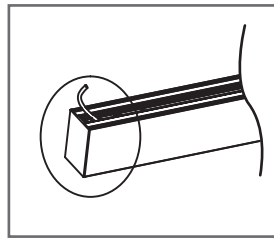
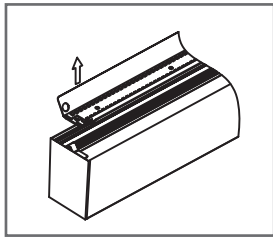
Note 1: 40W is only available for 4FT; 80W is only available for 8FT;
Note 2, 3: Surface Mount and Recessed Mount are for Downlight only;
*specification subject to change without notice

Mounting

Suspended Mount



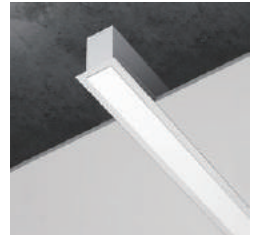
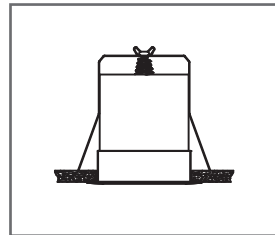
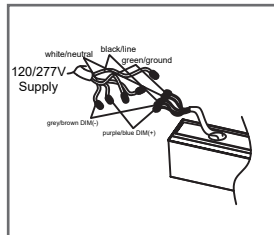
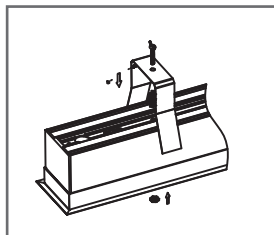
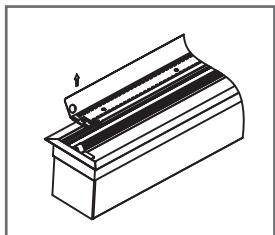
Surface Mount



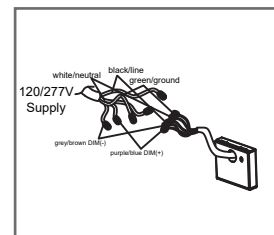
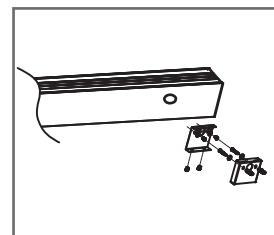
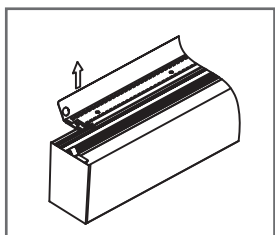
Mounting



Recessed Mount

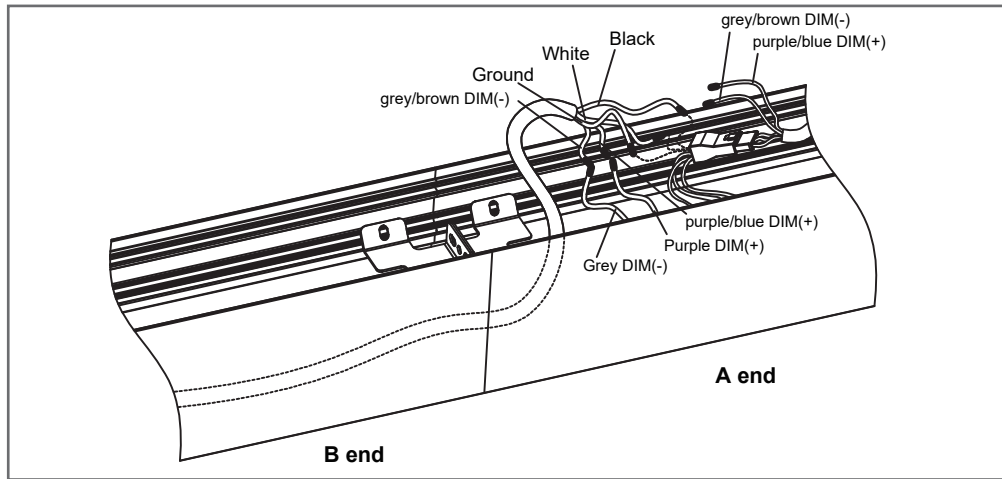
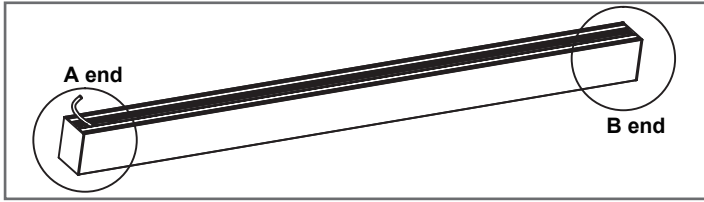


Wall Mount



Joint Connection & Corner Connection

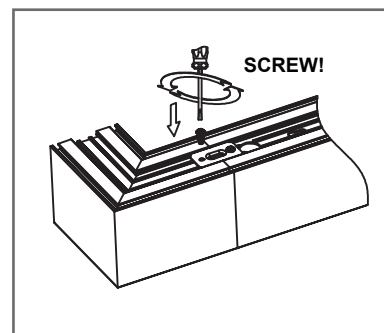
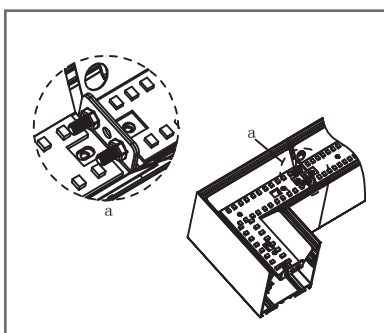
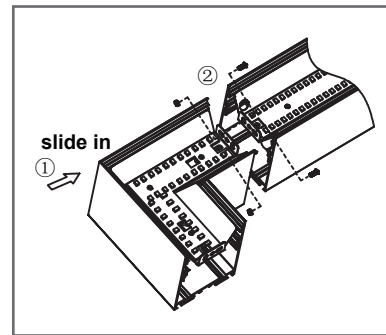
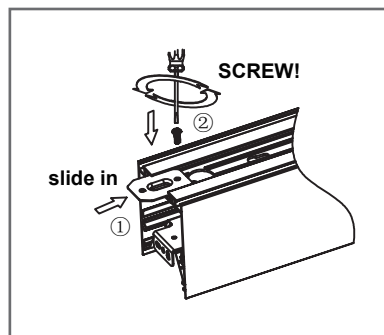
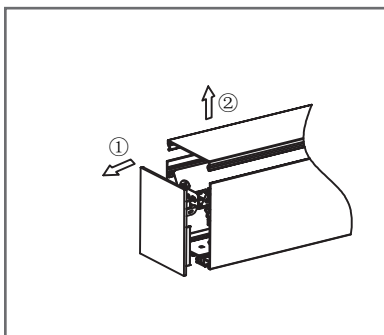
Joint Connection:



Corner Connection:

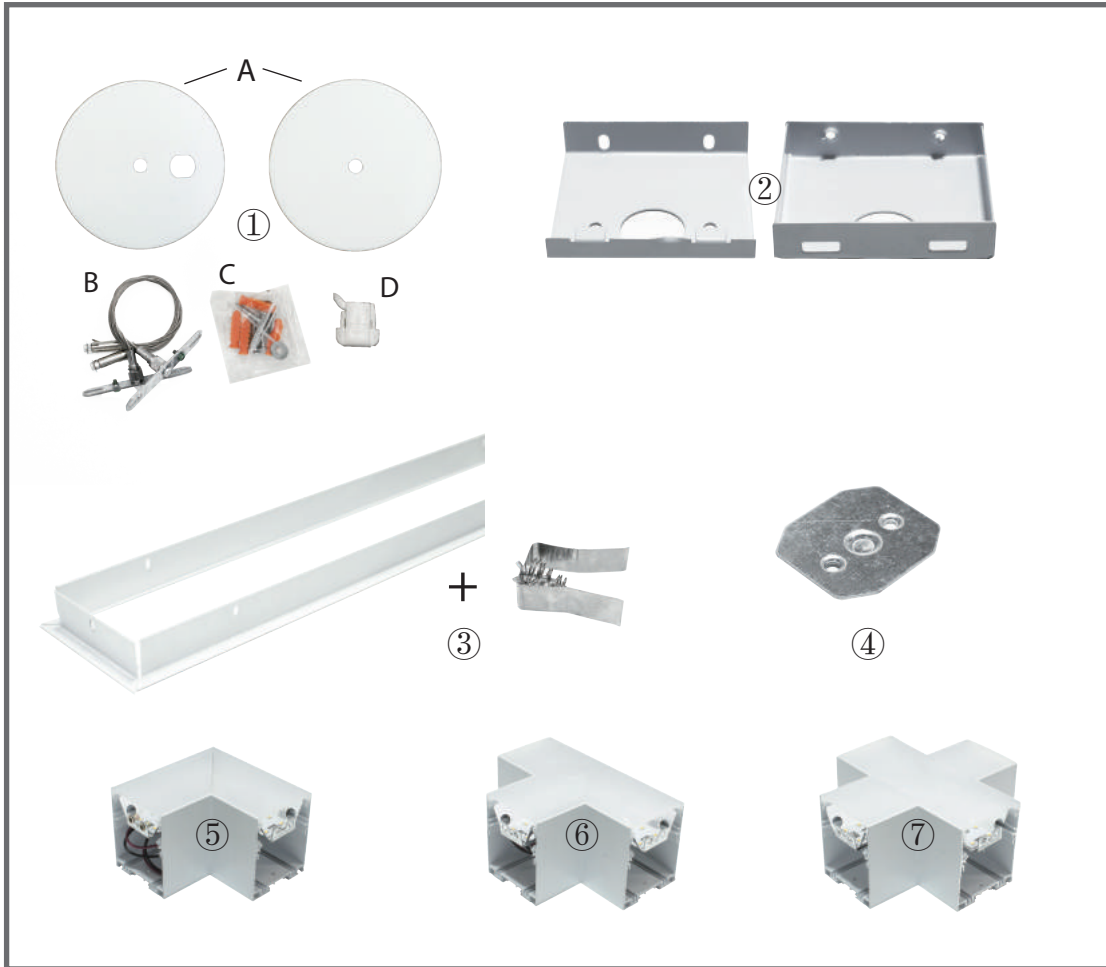


Below using L-shape connection as an example:



Parts List

Linear Fixture Installation & Connection Parts List

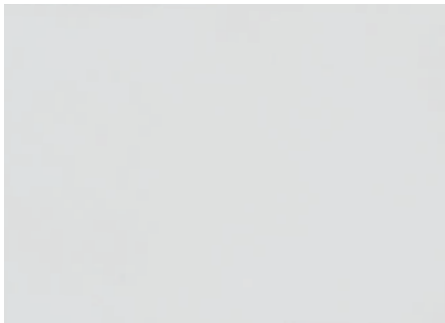


Item #	Name	Part #		
1	Suspended Mount Kit	BOLMX811C-PENDANT KIT	A	Canopies
			B	Aircraft Cable
			C	Screws
			D	Strain Relief
2	Wall Mount Kit	BOLMX811C-WALL MOUNT KIT		
3	Recessed Mount Kit	BOLMX811C-RECESSED KIT		
4	Extension Joint	BOLMX811C-EXTENSION JOINT		
5	L-Shape Joint	BOLMX811C-JOINT L		
6	T-Shape Joint	BOLMX811C-JOINT T		
7	X-Shape Joint	BOLMX811C-JOINT X		

Note: A, B, C, D are part of the ① pendant kit, no individual part numbers available, and do not sell separately.



Define Your Colour



White



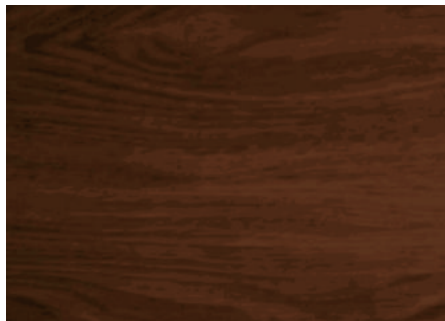
Grey



Black



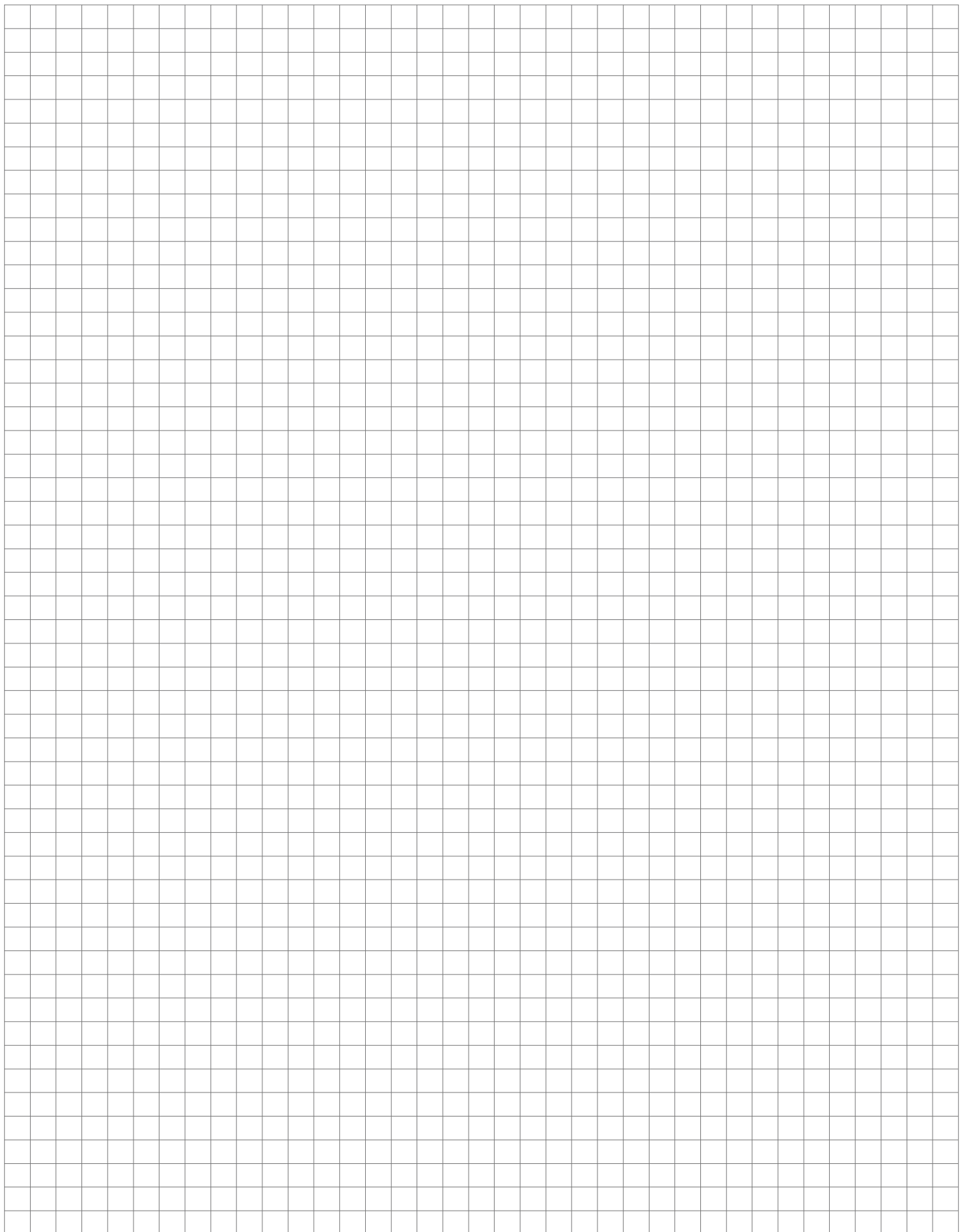
Wood-Cedar



Wood-Oak

Note: These colours were scanned from colour chip samples. Some colours, however, may vary slightly from actual appearance due to printing variations and limitations. For Grey, Black, Wood-Cedar, and Wood-Oak, MOQ may apply. Please consult with Blue Ocean Lighting for details.

NOTES

A large grid of graph paper, consisting of 20 columns and 35 rows of small squares, intended for taking notes.

