



ULTRA FLEX

**LED Strip Light
& Accessories**



Quality and Flexibility

Blue Ocean Lighting is committed to designing and manufacturing high-quality energy efficient LED lighting products for use on commercial and residential applications across Canada.

FS Series low voltage LED strip lights utilize outstanding quality EPSTAR LED chips and ensure delivering a consistent and even light output. Not only providing a high CRI>90 and high-performance as standard, but also having a long lifespan of 50,000+ hours. Specification grade. Fully dimmable. Field cuttable. And quick connectors available for the ease of installation. Suitable for dry, damp and wet locations. Available in warm to cool white as well as RGB/RGBW. An ideal choice for cove lighting, architectural detail illumination, accent lighting, themed lighting, task lighting, undercabinet lighting, or any linear lighting application that demands even, energy efficient, standard to super high output light source.

Blue Ocean Lighting wants to work with you and to help you be successful with your project. Feel free to contact us and we'd love to hear from you.



www.blueoceanlighting.com
1.866.695.8966






Table of Contents

**INDOOR STANDARD OUTPUT
LED STRIP LIGHT** PAGE 01

**INDOOR HIGH OUTPUT
LED STRIP LIGHT** PAGE 02

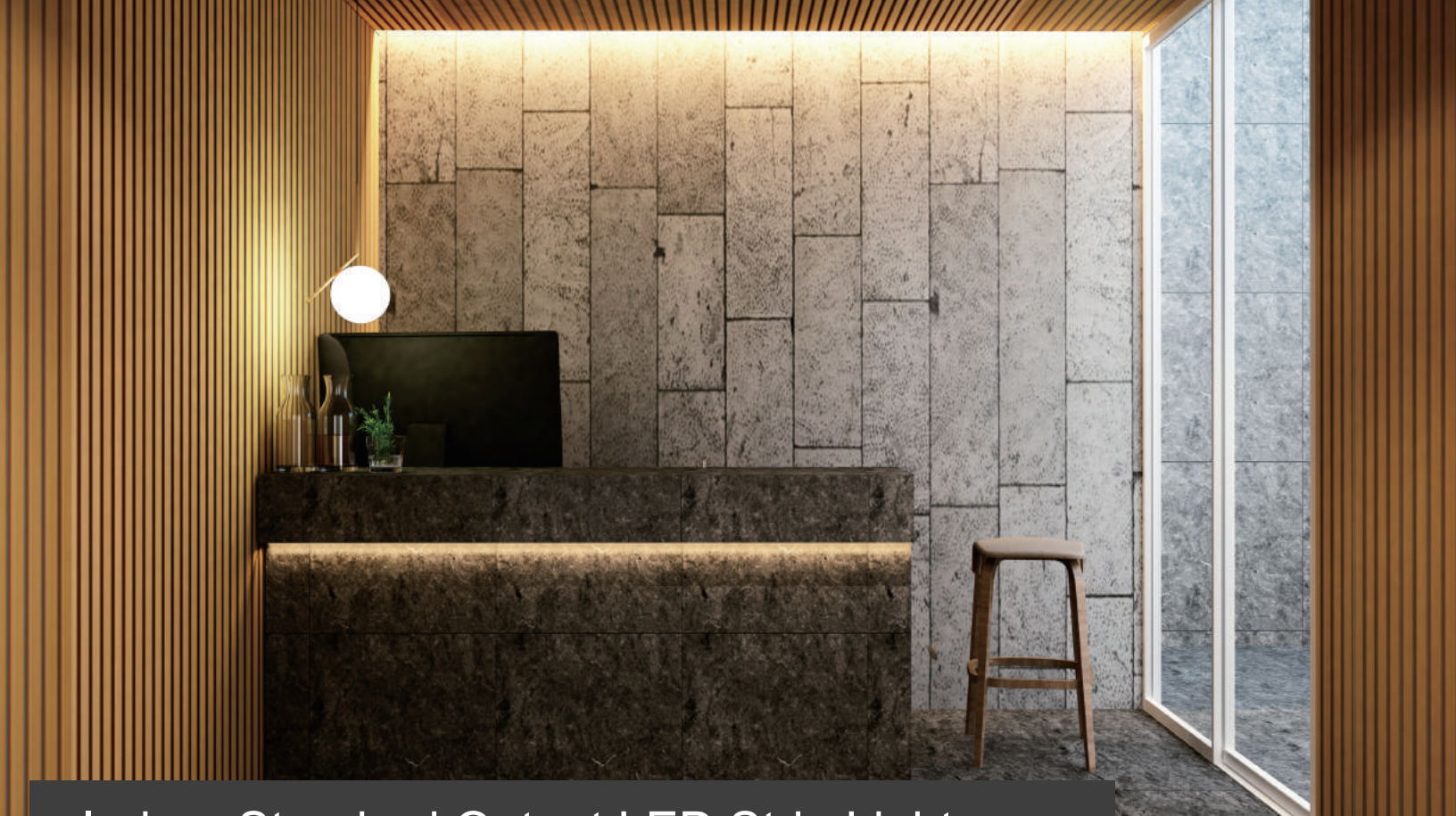
**OUTDOOR
LED STRIP LIGHT** PAGE 03

**RGB / RGBW
LED STRIP LIGHT** PAGE 04

**CONNECTORS &
ACCESSORIES** PAGE 05

**POWER
SUPPLIERS** PAGE 06

**ALUMINUM PROFILES
FOR LED STRIP LIGHTS** PAGE 07



Indoor Standard Output LED Strip Light

DESCRIPTION

Adding fashion, flexibility, and illumination to various indoor linear lighting projects. Suitable for use in cove lighting, undercabinet, up light, accent and many other residential and commercial applications. Available in 16.4 ft (5 meters) and 100 ft (30 meters) lengths.

FEATURES

- cULus Listed
- Cuttable in field
- 3M double stick mounting tape on back
- 50,000+ hours long lifespan
- CRI 90
- 3 years warranty
- Fully dimmable with dimmable power supply
- Strip to strip and strip to power connectors available

SPECIFICATIONS

Series	CCT	Chip/m	Voltage	IP	Watts/ft	Lumens/ft	CRI	Length	Cut Length
BOLFS35	2700K 3000K 3500K 4000K 5000K	60	12V	IP20	1.4W/ft	110-122lm/ft	90	16.4 ft	2.0"
BOLFS35	2700K 3000K 3500K 4000K 5000K	60	24V	IP20	1.4W/ft	110-122lm/ft	90	16.4 ft	3.9"
BOLFS35	2400K	60	24V	IP20	1.4W/ft	110-122lm/ft	80	16.4 ft	3.9"
BOLFS35	2700K 3000K	60	24V	IP20	1.4W/ft	110-122lm/ft	90	100 ft	3.9"

ORDERING EXAMPLE:

BOLFS35 30 60 24 20 L100*
 SERIES CCT CHIP/M VOLT IP RATING 100FT/ROLL

* For 16.4/roll, leave it blank.





Indoor High Output LED Strip Light

DESCRIPTION

High output LED strip lights that are suitable for use in cove lighting, up light, accent and many other residential and commercial applications. Available in 16.4 ft (5 meters) lengths.

FEATURES

- cULus Listed
- Ultra-bright SMD LED Technology
- Cuttable in field
- 3M double stick mounting tape on back
- 50,000+ hours long lifespan
- CRI 90
- 3 years warranty
- Fully dimmable with dimmable power supply
- Strip to strip and strip to power connectors available

SPECIFICATIONS

Series	CCT	Chip/m	Voltage	IP	Watts/ft	Lumens/ft	CRI	Length	Cut Length
BOLFS35	2700K 3000K 3500K 4000K 5000K	120	12V	IP20	2.9W/ft	213-238lm/ft	90	16.4 ft	1.0"
BOLFS35	2700K 3000K 3500K 4000K 5000K	120	24V	IP20	2.9W/ft	213-238lm/ft	90	16.4 ft	2.0"
BOLFS28	2700K 3000K 3500K 4000K 5000K	60	24V	IP20	4.4W/ft	305-335lm/ft	90	16.4 ft	3.9"
BOLFS28	2700K 3000K 3500K 4000K 5000K	120	24V	IP20	6.1W/ft	549-555lm/ft	90	16.4 ft	2.0"

ORDERING EXAMPLE:





Outdoor LED Strip Light

DESCRIPTION

Adding fashion, flexibility, and illumination to various outdoor lighting projects. Available in 16.4 ft (5 meters) lengths.

FEATURES

- cULus Listed
- Damp location IP65, Wet location IP67
- Cuttable in field
- 3M double stick mounting tape on back (exclusive for IP65)
- 50,000+ hours long lifespan
- CRI 90
- 3 years warranty
- Fully dimmable with dimmable power supply
- Snap-on quick connectors available (exclusive for IP65)

SPECIFICATIONS

Series	CCT	Chip/m	Voltage	IP	Watts/ft	Lumens/ft	CRI	Length	Cut Length
BOLFS35	2700K 3000K 3500K 4000K 5000K	60	12V	IP65	1.4W/ft	105-116lm/ft	90	16.4 ft	2.0"
BOLFS35	2700K 3000K 3500K 4000K 5000K	60	24V	IP65	1.4W/ft	105-116lm/ft	90	16.4 ft	3.9"
BOLFS35	2700K 3000K 3500K 4000K 5000K	60	12V	IP67	1.4W/ft	105-116lm/ft	90	16.4 ft	2.0"
BOLFS35	2700K 3000K 3500K 4000K 5000K	60	24V	IP67	1.4W/ft	105-116lm/ft	90	16.4 ft	3.9"
BOLFS28	2700K 3000K 3500K 4000K 5000K	60	24V	IP67	4.4W/ft	300-330lm/ft	90	16.4 ft	3.9"



ORDERING EXAMPLE:

BOLFS35	30	60	24	65
SERIES	CCT	CHIP/M	VOLT	IP RATING



RGB / RGBW Strip Light

DESCRIPTION

RGB Strip lights provide high performance in colour changing illumination for a variety of commercial and residential applications.

In addition to providing over 16 million possibilities of colour mix, our RGBW has added a true warm white inside the enclosure. It would be an excellent choice for customers who like to add 2700K or 3000K as an alternate.

FEATURES

- cULus Listed
- Create colourful linear displays and colour changing effects
- RGB + Warm white 2700K|3000K (CRI>90) available
- Even light distribution and fully dimmable
- Cutttable in field, also can be rejoined
- Available for dry (IP20) and wet location (IP68)
- 16.4 Ft Reel (5 meters)
- 50,000 hours operation & 3 years warranty
- Controller, remote and amplifier available

SPECIFICATIONS

Series	Colour	Chip/m	Voltage	IP	W Colour	Watts/ft	CRI	Length	Cut Length
BOLFS50	RGB	60	24V	IP20		4.4W/ft	N.A.	16.4 ft	3.9"
BOLFS50	RGBW	84	24V	IP20	W: 2700K	6.1W/ft	90	16.4 ft	2.8"
BOLFS50	RGBW	84	24V	IP20	W: 3000K	6.1W/ft	90	16.4 ft	2.8"
BOLFS50	RGBW	84	24V	IP68	W: 2700K	6.1W/ft	90	16.4 ft	2.8"
BOLFS50	RGBW	84	24V	IP68	W: 3000K	6.1W/ft	90	16.4 ft	2.8"

ORDERING EXAMPLE:

BOLFS50 RGBW 60 24 20 27*

SERIES COLOUR CHIP/M VOLT IP RATING W COLOUR

* For RGB, leave it blank.



Connectors & Accessories

CONNECTOR AND ACCESSORIES FOR FS35 AND FS28

Snap-on Strip Coupler

BOL-FS-017-C-8/10 Snap-on Strip Coupler 8mm/10mm

6" Snap-on Strip Connector

BOL-FS-013-C-8/10 6" Snap-on Strip Connector 8mm/10mm

L Shape Connector

BOL-FS-C-L8/10 L Shape Connector 8mm/10mm

T Shape Connector

BOL-FS-C-T8/10 T Shape Connector 8mm/10mm

X Shape Connector

BOL-FS-C-X8/10 X Shape Connector 8mm/10mm

2nd Generation Strip to Wire Connector

BOL-FS-C-DJ-N8XB-2 Snap-on Strip to Wire Connector FS35 IP65 Series AWG #22/20/18

BOL-FS-C-SE-N8XB-2 Snap-on Strip to Wire Connector FS35 IP20 Series AWG #22/20/18

BOL-FS-C-SE-N10XB-2 Snap-on Strip to Wire Connector FS28 IP20 Series AWG #22/20/18

2nd Generation Snap-on Strip to Strip Connector

BOL-FS-C-DJ-N8BB-2 Snap-on Strip to Strip Connector FS35 IP65 Series

BOL-FS-C-SE-N8BB-2 Snap-on Strip to Strip Connector FS35 IP20 Series

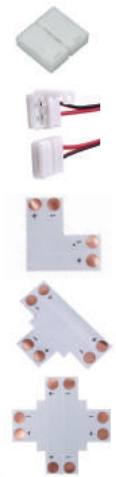
BOL-FS-C-SE-N10BB-2 Snap-on Strip to Strip Connector FS28 IP20 Series

Connector Female/Male

BOL-FS-C-DC1 Connector IP65 Transparent Female/Male per set

BOL-FS-C-DC2 Connector Female/Male per set

BOL-FS-AS-JM-T2 Dimmer for FS35 and FS38 Strip Lights



RGB / RGBW ACCESSORIES

BOL-FS-C-SE-N10XB-4 Snap-on Strip to Wire Connector IP20 Series AWG #22/20/18

BOL-FS-C-SE-N10BB-4 Snap-on Strip to Strip Connector IP20 Series

BOL-FS-C-SE-N12XB-5 Snap-on Strip to Wire Connector IP20 Series AWG #22/20/18

BOL-FS-C-SE-N12BB-5 Snap-on Strip to Strip Connector IP20 Series

BOL-FS-AS-AMPL Amplifier for RGB Strip Light

BOL-FS-AS-AMPL-RGBW Amplifier for RGBW Strip Light

BOL-FS-AS-JM-UT-07 (RGB) Controller for RGB Strip Light

BOL-FS-AS-JM-UT-08 (RGBW) Controller for RGBW Strip Light



Power Supplies

LED PLUG-IN DRIVER

SD-ACDC-12-24	INPUT: 100-240V	OUTPUT: 12VDC 2A	CLASS II
SD-ACDC-12-30	INPUT: 100-240V	OUTPUT: 12VDC 2.5A	CLASS II
SD-ACDC-12-48	INPUT: 100-240V	OUTPUT: 12VDC 4A	CLASS II
SD-ACDC-12-60	INPUT: 100-240V	OUTPUT: 12VDC 5A	CLASS II
SD-ACDC-24-72	INPUT: 100-240V	OUTPUT: 24VDC 3A	CLASS II



LED C.V. DRIVER

APV-16	INPUT: 100-240V	OUTPUT: 12V 1.25A 24V 0.67A	IP42	CLASS II
LPV-35	INPUT: 100-240V	OUTPUT: 12V 3A 24V 1.5A	IP67	CLASS II
LPV-60	INPUT: 100-240V	OUTPUT: 12V 5A 24V 2.5A	IP67	CLASS II
LPV-100	INPUT: 100-240V	OUTPUT: 12V 8.5A 24V 4.2A	IP67	
HLG-150H	INPUT: 100-240V	OUTPUT: 12V 12.5A 24V 6.3A	IP65	



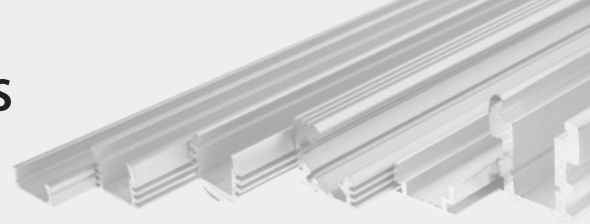
TRIAC/PHASE CUT DIMMABLE DRIVER

KVP-12025-TDLJ	INPUT: 120V	OUTPUT: 12V 2A Max	Damp Location	CLASS II
KVP-24025-TDLJ	INPUT: 120V	OUTPUT: 24V 1A Max	Damp Location	CLASS II
KVP-12050-TDLJ	INPUT: 120V	OUTPUT: 12V 4.15A Max	Damp Location	CLASS II
KVP-24050-TDLJ	INPUT: 120V	OUTPUT: 24V 2.08A Max	Damp Location	CLASS II
KVP-12060-TDLJ	INPUT: 120V	OUTPUT: 12V 5A Max	Damp Location	CLASS II
KVP-24060-TDLJ	INPUT: 120V	OUTPUT: 24V 2.5A Max	Damp Location	CLASS II
KVP-24080-TDLJ	INPUT: 120V	OUTPUT: 24V 3.3A Max	Wet Location	CLASS II
KVP-24096-TDLJ	INPUT: 120V	OUTPUT: 24V 4A Max	Wet Location	CLASS II

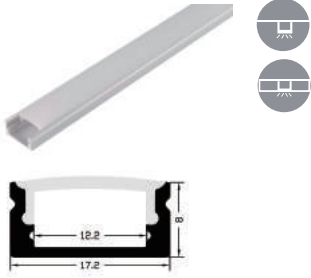


Aluminum Profiles for LED Strip Lights

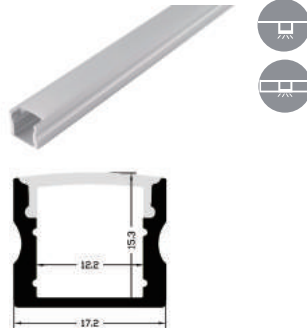
Anodized aluminum finish
 Length comes in 8.2 ft
 PMMA lens
 Lens choice: clear, frosted and opal
 Both aluminum channel and PMMA lens can be cut in field
 End caps and mounting clips available



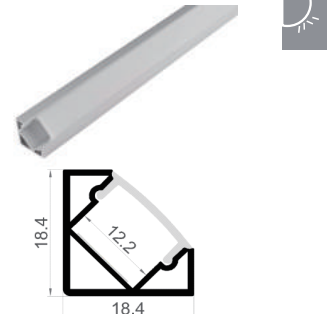
1707S



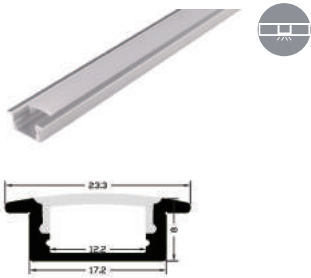
1715S



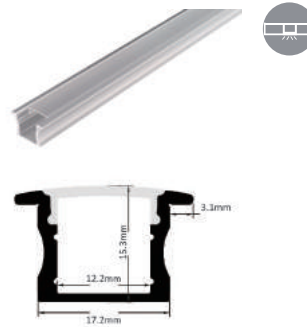
1818-45



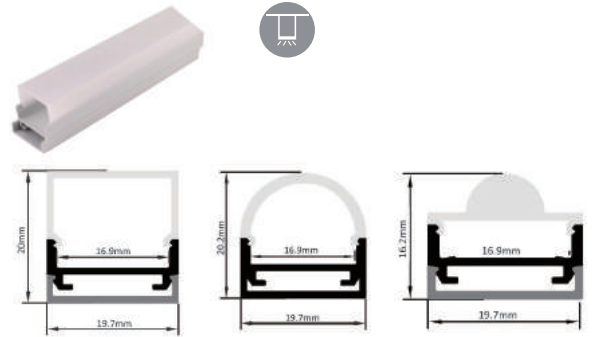
1707R



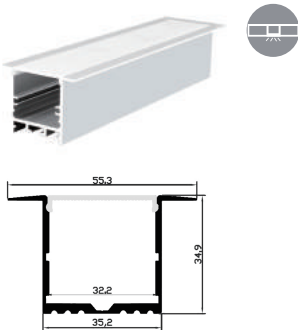
1715R



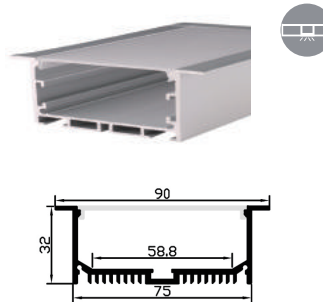
1919-A/B/C



3535R



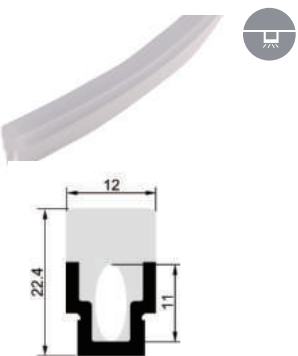
7532R



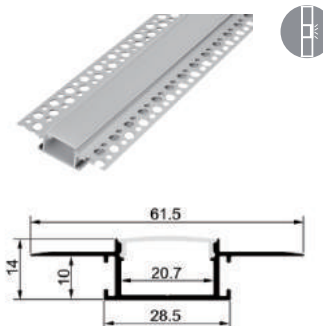
SM1806 Bendable



PA005 Bendable



TL1304 Drywall



*All dimensions are in millimeters (mm) unless otherwise noted.

Visit our website:
www.blueoceanlighting.com



Blue Ocean Lighting Ltd.

1622 Boundary Road
Burnaby, BC V5K4V4
Canada
1.866.695.8966

@ 2018 Blue Ocean Lighting Ltd.
All Rights Reserved
Printed and designed in Canada
December 2018