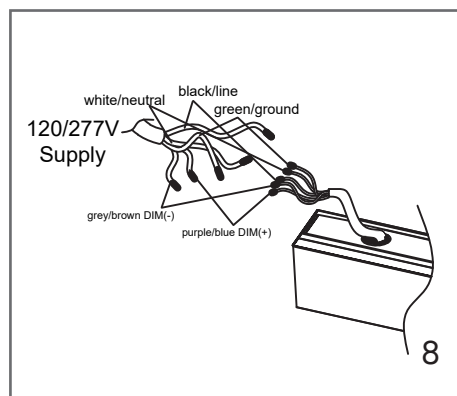
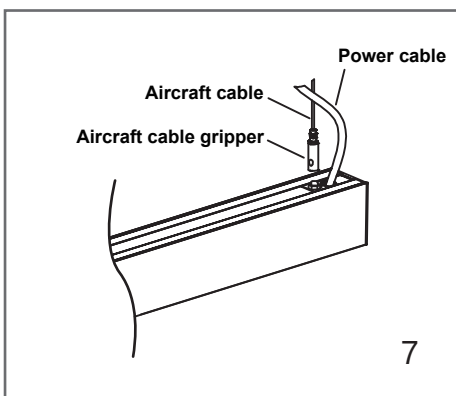
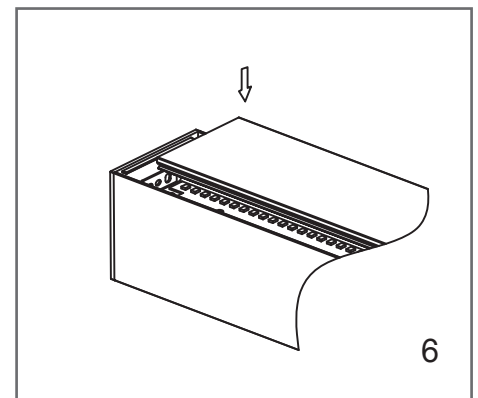
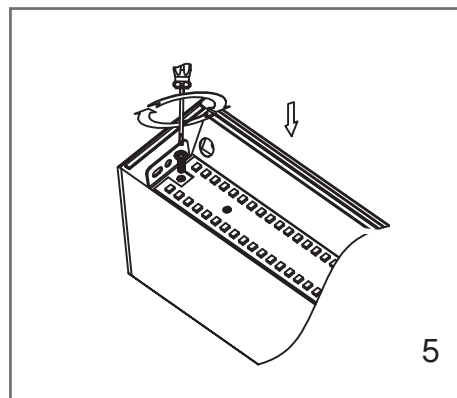
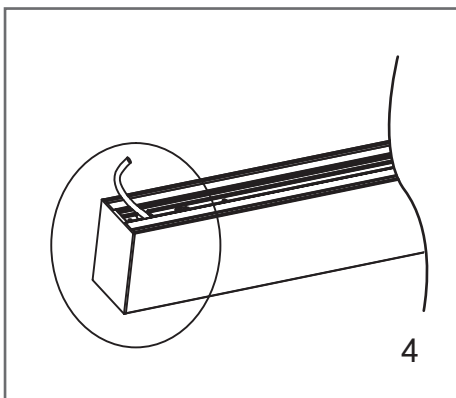
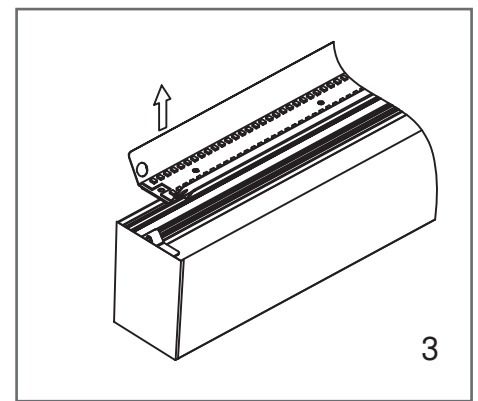
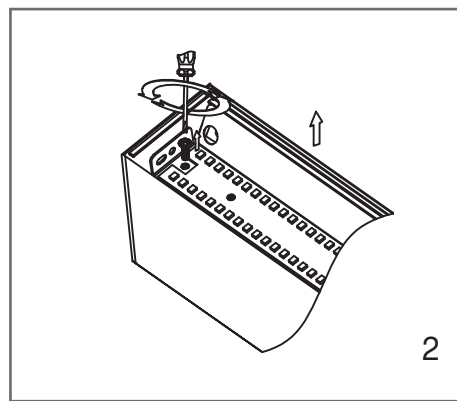
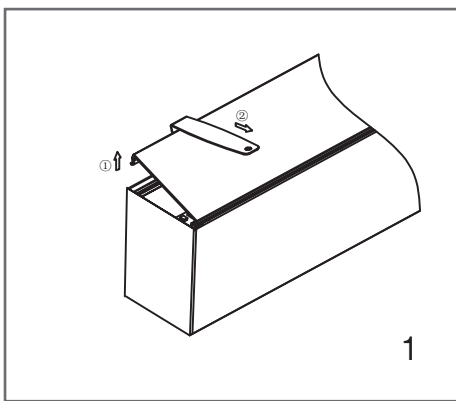




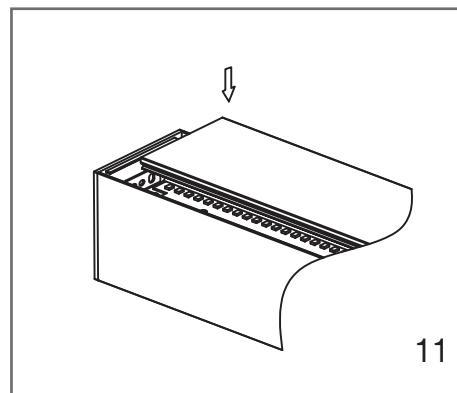
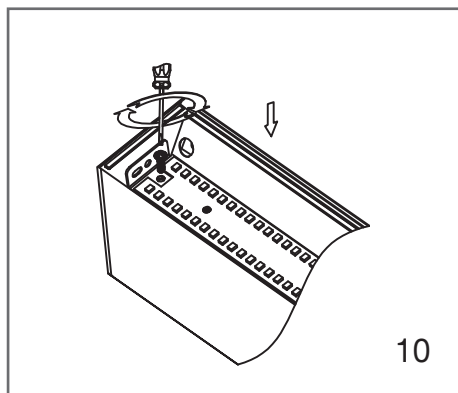
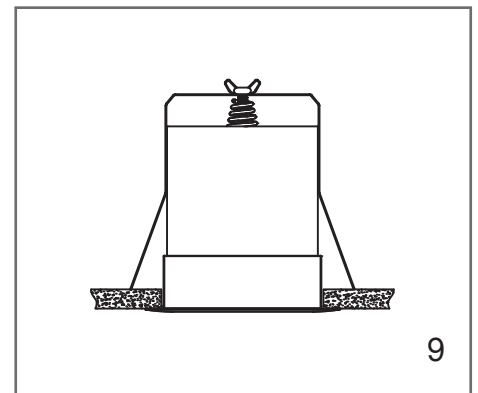
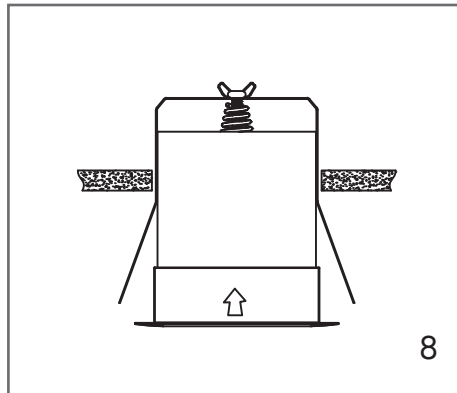
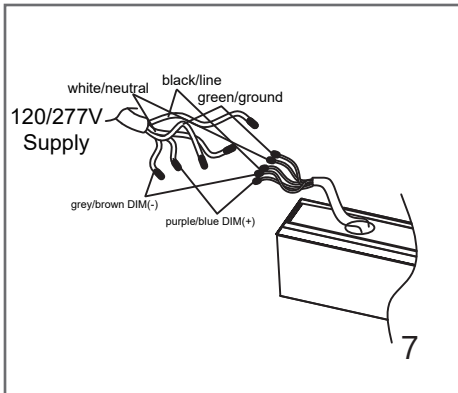
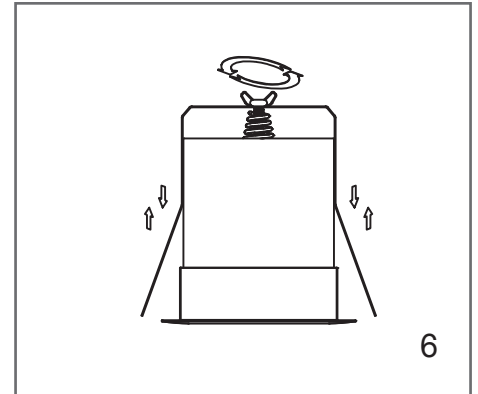
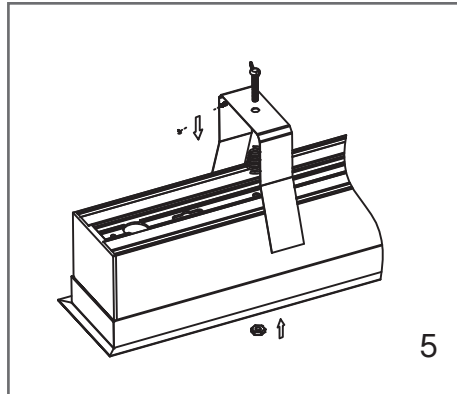
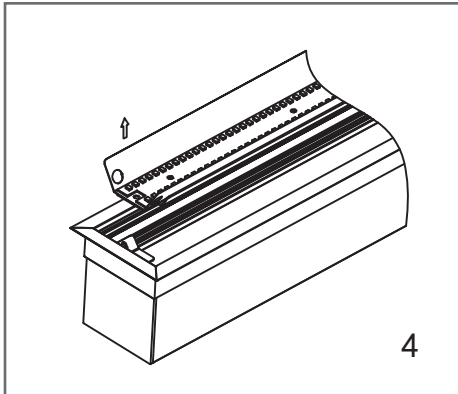
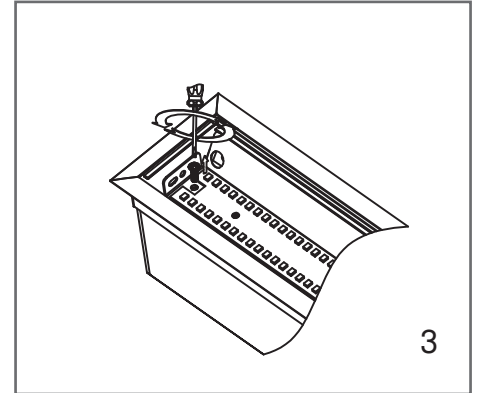
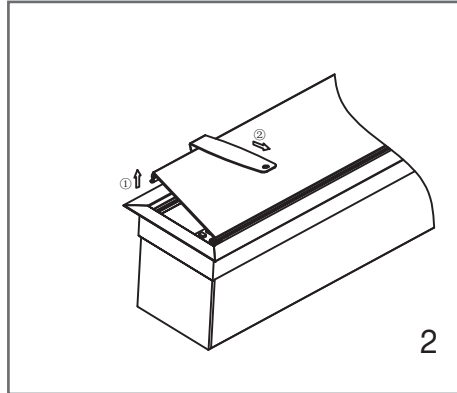
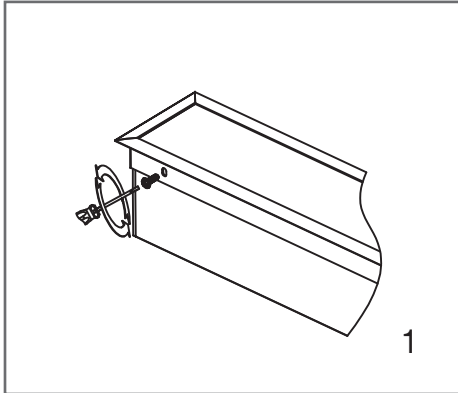
WARNING

1. To avoid electric shock, disconnect power at the source prior to installation.
2. The installation needs to be conducted by a certified electrician to ensure proper installation.
3. If there are problems with the fixture, turn off power and do not attempt to repair unless you are a certified electrician.
4. The electrical rating of this product is 120-277VAC.
5. Read label information carefully to ensure proper input voltage for this product.

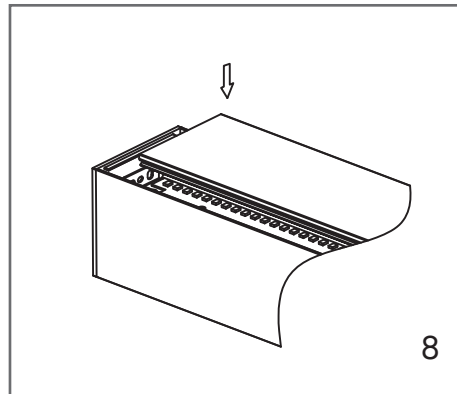
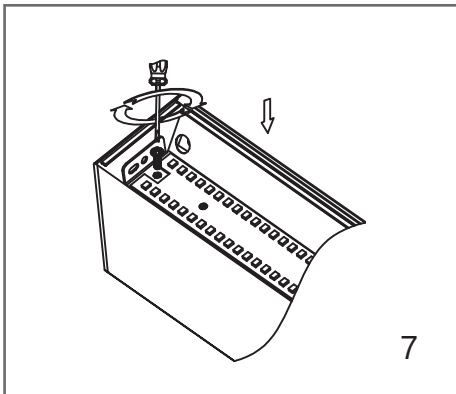
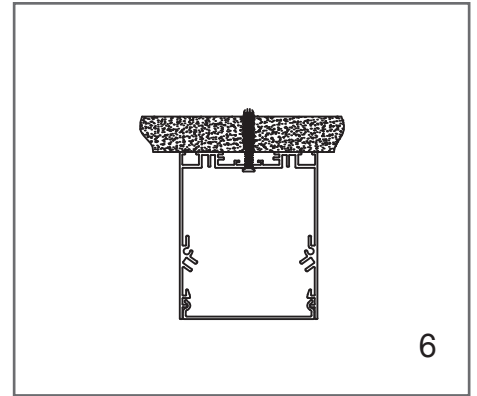
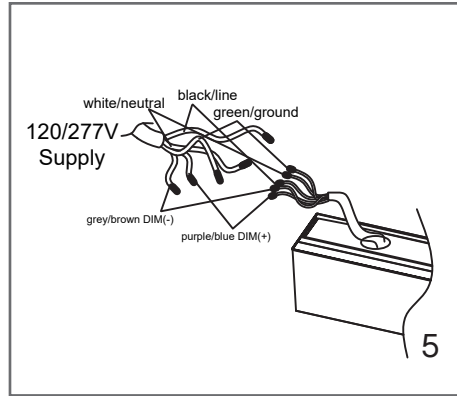
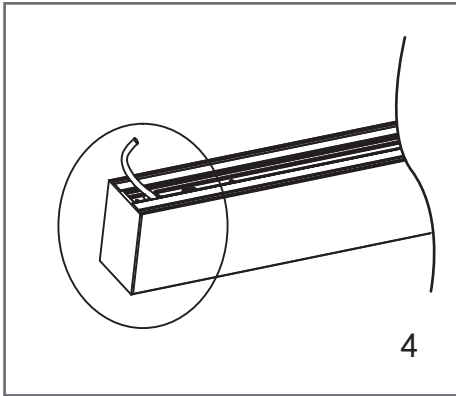
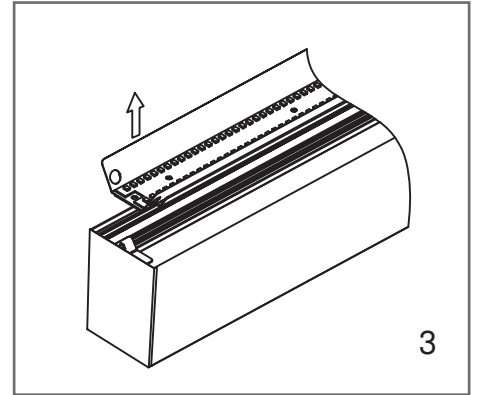
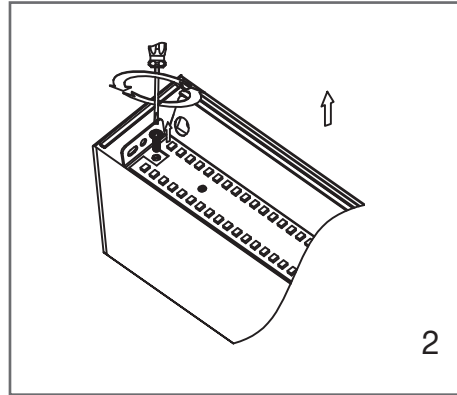
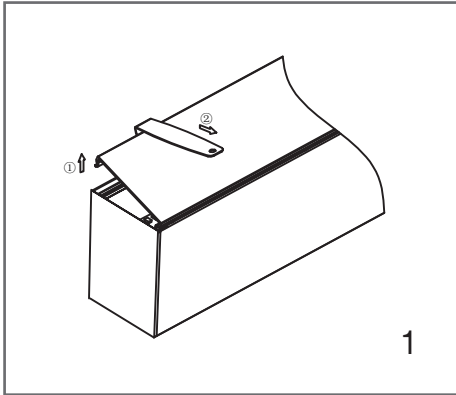
Installation-Pendant Mount



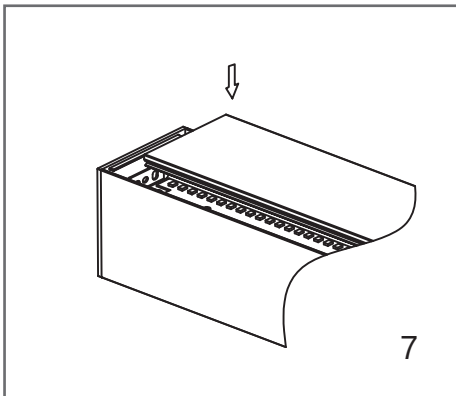
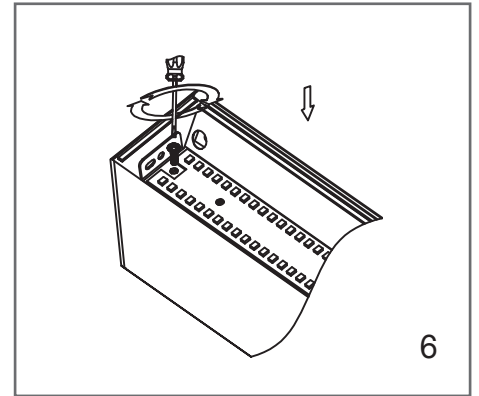
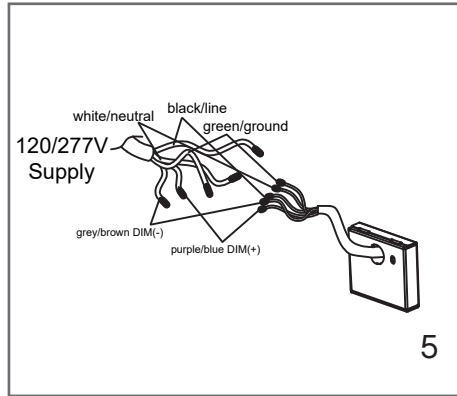
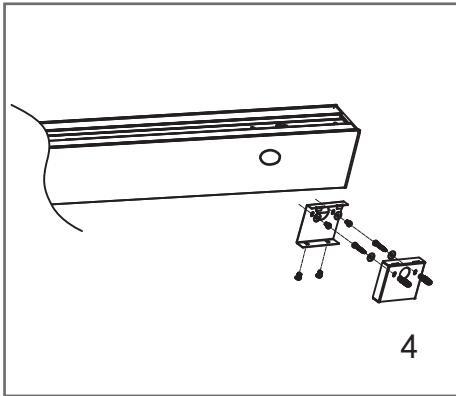
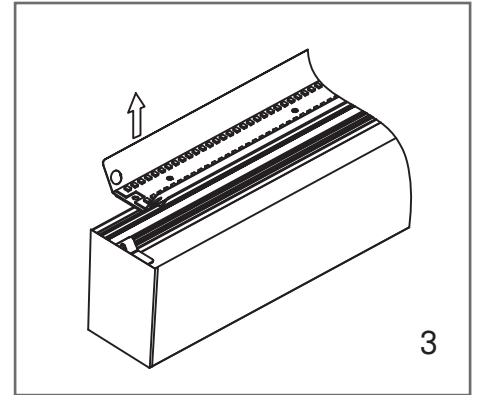
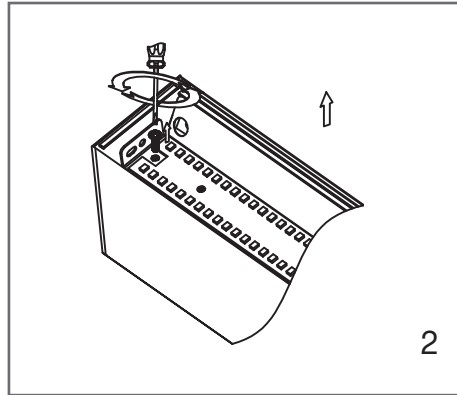
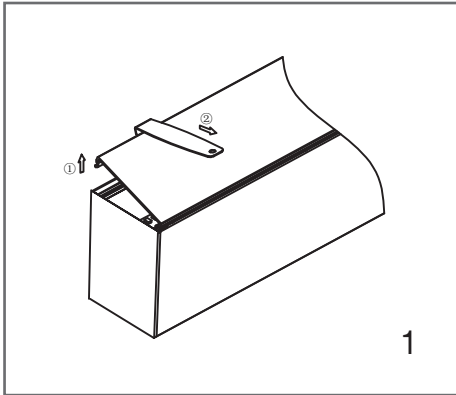
Installation-Recessed Mount (MX811 Down Only)



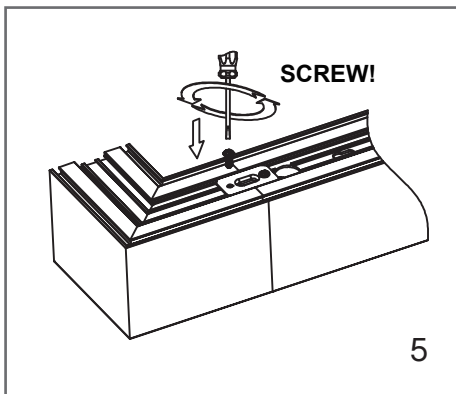
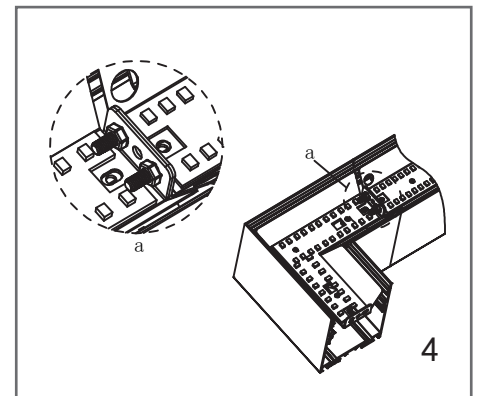
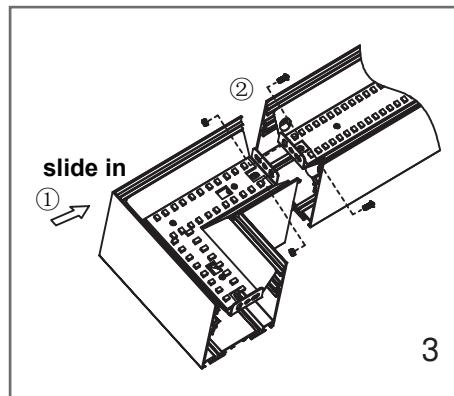
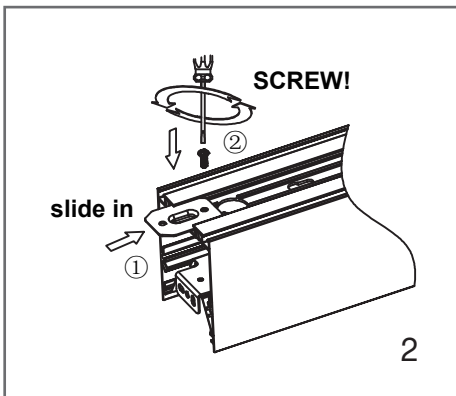
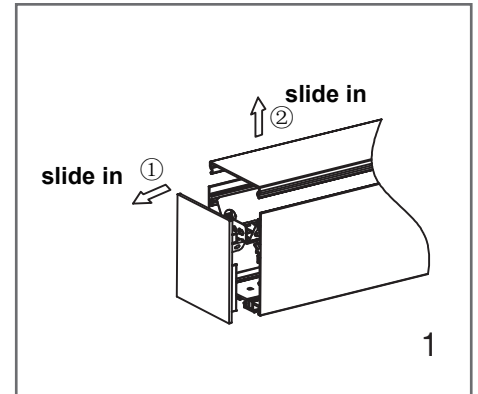
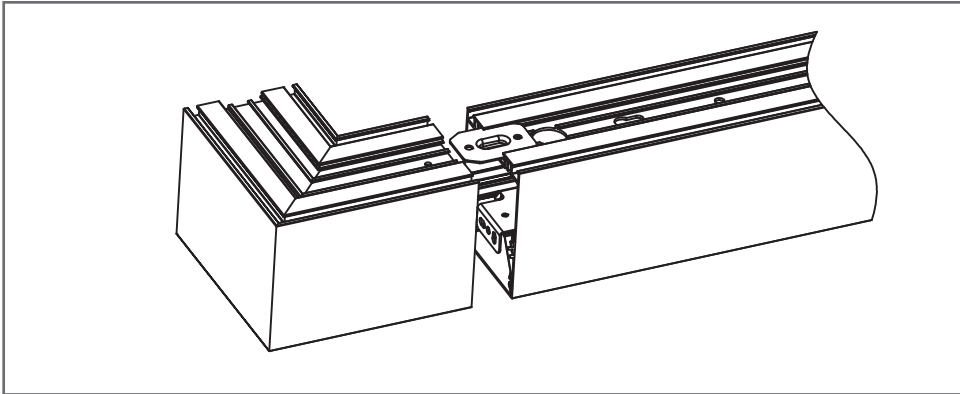
Installation-Surface Mount (MX811 Down Only)



Installation-Wall Mount



Installation-Corner Connection



Installation-Joint Connection

