

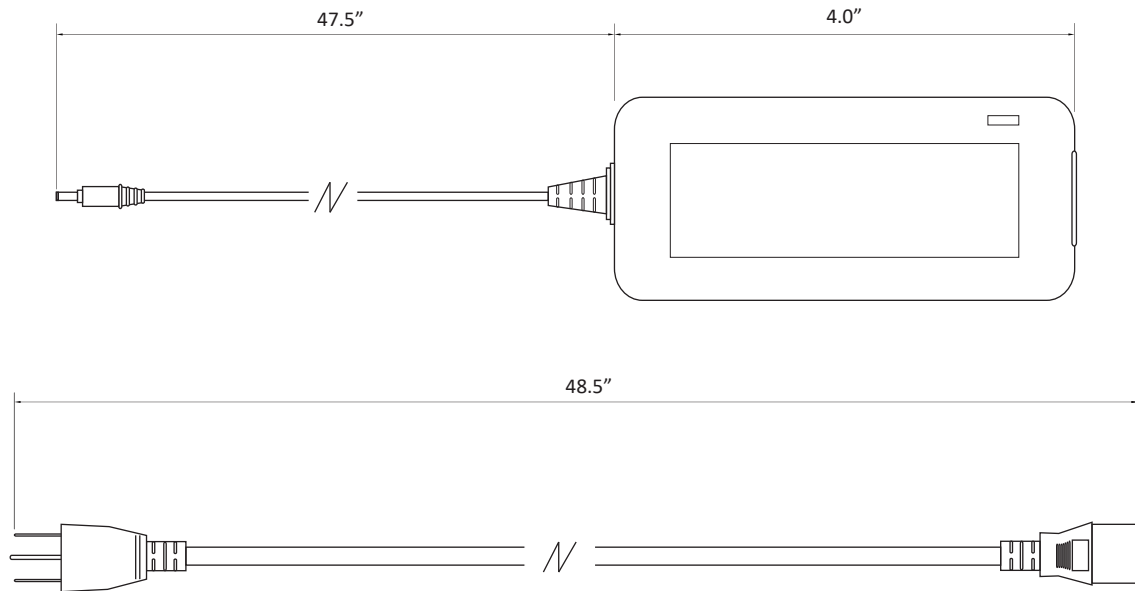
PLUG-IN POWER SUPPLY SD-ACDC

DESCRIPTION

- LED Plug-in table top power supply
- Three prong power cord included
- Input: 100-247V AC, 0.5A, 50/60Hz
- Output: DC 12V, 2.5A
- Power supply contained within fully enclosed plastic case
- Indoor use only
- Class II rated
- RoHS, cUL Listed



DRAWING



ORDERING INFORMATION

Series No.	Outout Voltage	Wattage
SD-ACDC	12=12V DC	30=30W

Weight

11 oz.

Package Dimensions

7.5" X 3.8" X 1.5"