

LED Strip Light Accessory RGBW Amplifier

FEATURES

- Increase load capacity of entire circuit and extends the signal of controllers
- 4 channel output for RGBW strip, maximum 6 Amps per channel and 24 Amps in total
- Accept PWM signal, amplify RGBW signals using PWM technology
- Super heavy output 288W with 0-12W static power consumption

SPECIFICATIONS

- Working Temp: -20°C-60°C
- Power Input: DC12V-DC24V
- Output: 4 circuit
- Connection Mode: common mode
- Dimensions: L105xW65xH23(mm)
- Weight (N.W.): 110g
- Static Power Consumption: <1W
- Output Current: <6A
- Output Power: <288W

PRODUCT PHOTO



DIAGRAM 1: FOR SERIAL CONNECTION

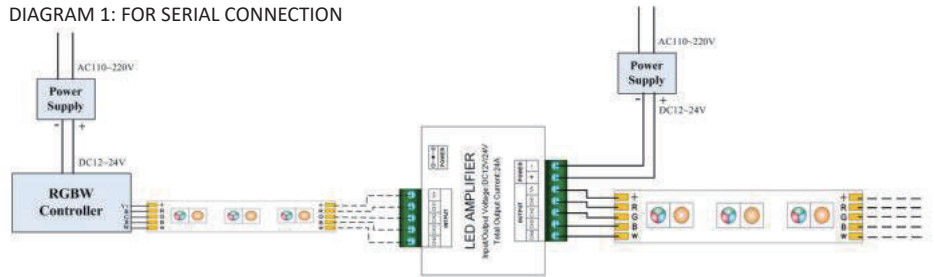
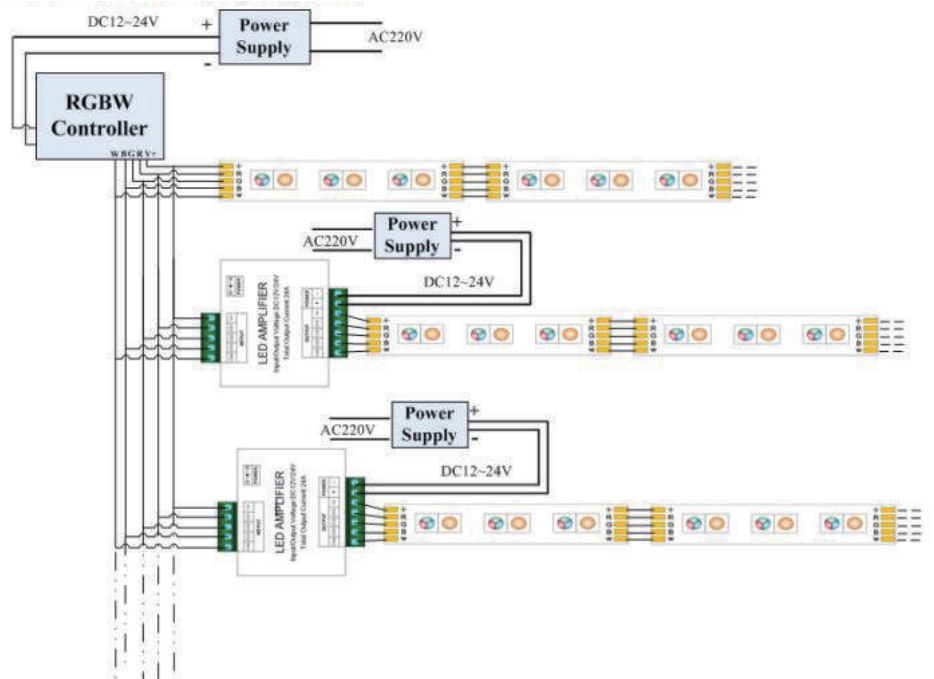


DIAGRAM 2: FOR PARALLEL CONNECTION



ORDERING INFORMATION

Series No.	Type
BOL-FS-AS	AMPL-RGBW