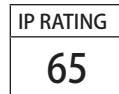


## LED FLOOD LIGHT BOL-EFL

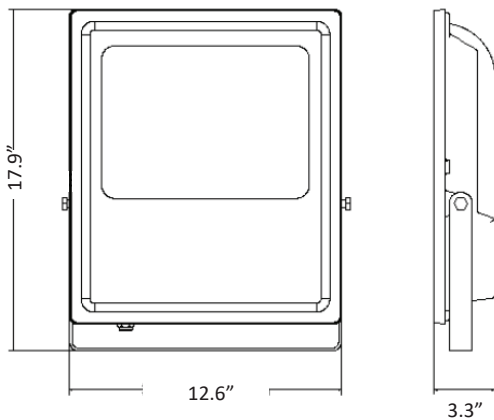
### DESCRIPTION

Blue Ocean's EFL 200W LED Flood Light Series is designed to replace traditional metal halide or high-pressure sodium lighting fixtures in sports stadiums, warehouses, tunnels and more. IP65 rating allows for both indoor and outdoor applications, with protection against water, corrosion, dust and insects. Superior LED technology enable the product to outperform others in terms of efficacy, colour consistency and minimum refraction and reflection losses inside the optical system. Die cast aluminum housing with UV resistant powder coat finish makes the fixture rust and corrosion proof. Tempered glass lens and special photometric design allows comfortable and no-glare light. Superior temperature control technique enables the heat and air to go through the whole fixture, and temperature inside the fixture is controlled within 26 °C above the outside environment temperature.

Popular Applications: Building facade lighting, stadium lighting, large sign illumination etc.



### DRAWING



### SPECIFICATION CHART

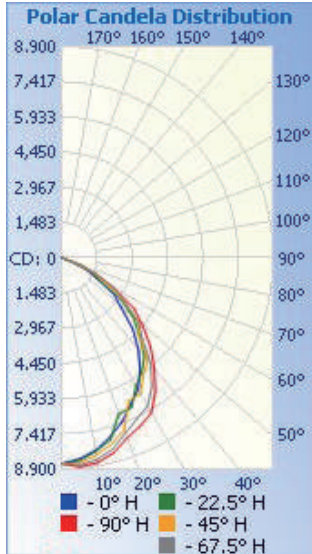
Model	BOL-EFL-200W-XX
Voltage	100-240, 277VAC 50/60Hz
Wattage	200W
Replacement	500W HPS/MH
Lumen Output	22000-24000lm
CRI	70
PFC	0.9
CCT	4000K 5000K
Beam Angle	120°
Operating Temperature	-40~40°C

### ORDERING INFORMATION

<b>Series No.</b> BOL-EFL	<b>Wattage</b> 200W=200W	<b>CCT</b> 40=4000K 50=5000K	<b>Voltage</b> U=Universal 100-240, 277VAC	<b>Finish</b> Blank=Grey BLK=Black
------------------------------	-----------------------------	------------------------------------	---	--

**PHOTOMETRIC SPEC**

## BLUE OCEAN LIGHTING™ BOLEFL200W 30' Mounting Height



**Illuminance at a Distance**

Distance	Center Beam LUX	Beam Width
5.0ft	<b>3,749 LUX</b>	10.1 ft 12.4 ft
10.0ft	<b>937 LUX</b>	20.2 ft 24.8 ft
15.0ft	<b>417 LUX</b>	30.4 ft 37.2 ft
20.0ft	<b>234 LUX</b>	40.5 ft 49.5 ft
25.0ft	<b>150 LUX</b>	50.6 ft 61.9 ft
30.0ft	<b>104 LUX</b>	60.7 ft 74.3 ft

Vert. Spread: 90.7°  
 Horiz. Spread: 102.2°

