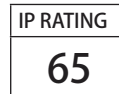


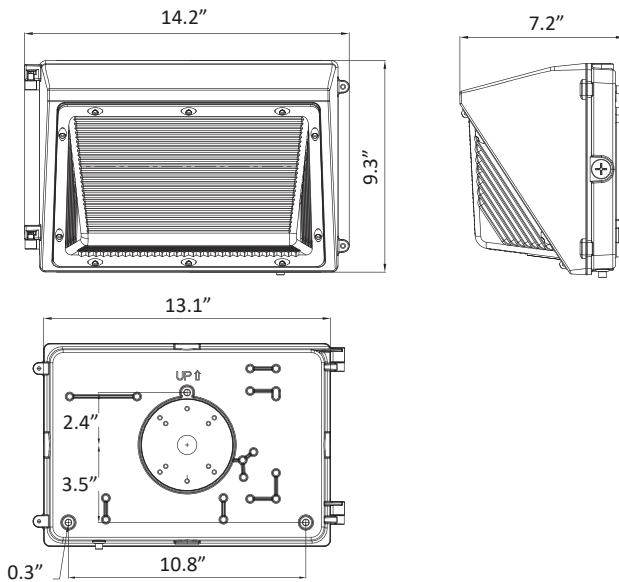
LED WALL PACK FIXTURE BOLWMP

DESCRIPTION

Blue Ocean's BOLWMP Wall Pack is designed to deliver high performance and energy efficient illumination, replacing traditional high pressure sodium, metal halide and other types of wall pack lighting fixtures. Die cast aluminum housing with powder coated finish and sealed gasketed optical compartment protects the fixture from rust, corrosion, contaminants and insects, suitable for both indoor and outdoor application, also suitable for J-BOX mounting and surface mounting. 3 pieces 1/2 inch threaded holes can support wires coming Polycarbonate optical lens with UV stabilizers does not exhibit yellowing and deformation, and highly reflective anodized reflector provides optimized illumination with no shelter angle and no glare. Photocell is optional, allowing for security and energy saving. Fixture is IP65 rating for both indoor and outdoor damp and wet locations. Operating temperature is -40°C to 40°C.



DRAWING



SPECIFICATION CHART

| | |
|---------------|----------------------------|
| Model | BOLWMP |
| Voltage | 100-277VAC |
| Wattage | 40W 65W 90W |
| Replacement | 100W 175W 250W HPS/MH |
| Lumen Output | 4600lm 7250lm 10250lm |
| CRI | >82 |
| PFC | >0.90 |
| CCT | 4000K 5000K |
| Working Temp. | -40°C to 40°C |
| Finish | Dark Bronze |
| Lens | Polycarbonate Optical Lens |
| Dimension | 14.2"X9.3"X7.2" |

ORDERING INFORMATION

| | | | | | |
|-----------------------------|---|----------------------------------|--------------------------------------|--------------------------------|--|
| Series No. BOLWMP | Wattage 40W=40W 65W=65W 90W=90W | Voltage 27V=100-277VAC | CCT 40K=4000K 50K=5000K | Finish D=Dark Bronze | Sensor Blank=No Photocell P1=120V Photocell |
|-----------------------------|---|----------------------------------|--------------------------------------|--------------------------------|--|

*Photocell is field installed
Note: specification subject to change without notice