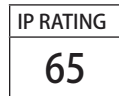


LED WALL PACK

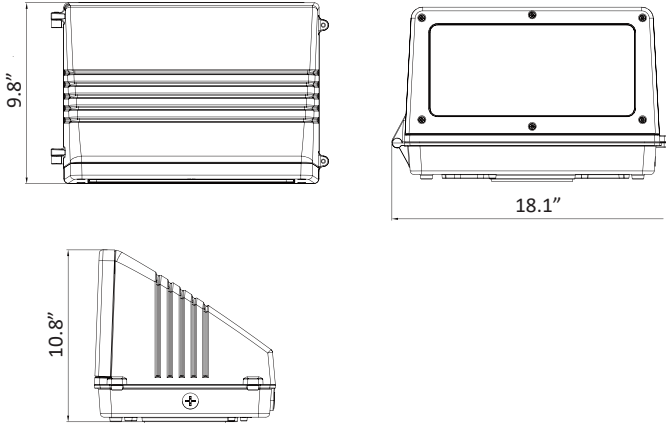
BOLWPF

DESCRIPTION

Designed to deliver high performance and energy efficient illumination, Blue Ocean's BOLWPF Wall Pack series replaces traditional fluorescent, high pressure sodium and metal halide lighting fixtures, delivering exceedingly comfortable light with silent and flicker-free operation and minimized lumen depreciation. Die cast aluminum housing with powder coated finish and sealed gasketed optical compartment protect the fixture from rust, corrosion, contaminants and insects, together with an IP65 rating for damp and wet locations. Full cut-off design complies with Dark Sky requirement. Type III polycarbonate optical lens with UV stabilizers, superior LED chip and UL class 2 high-performance driver together provide excellent thermal performance, high efficacy and great color consistency. Suggested applications: building entrances, stairways, schools, hospitals, hotels, industrial and commercial buildings, and anywhere security lighting is needed.



DRAWING



SPECIFICATION CHART

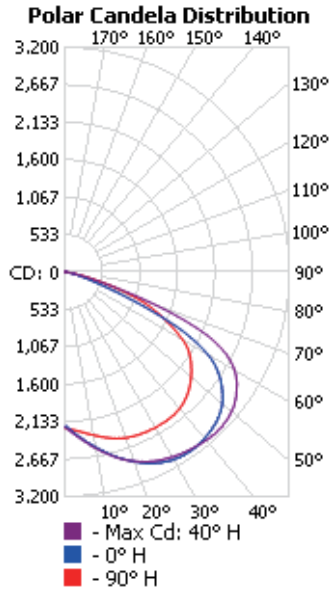
Model	BOLWPF90W
Voltage	120-277VAC
Wattage	90W
Replacement	250W HID
Lumen Output	8500lm
CRI	80
PFC	0.9
CCT	5000K
Dimension	18.1"X9.8"X10.8"
Operating Temp.	-40~40°C
Finish	Dark Bronze
Mounting	Wall Mount

ORDERING INFORMATION

Series No. BOLWPF	Wattage 90W=90W	Voltage 27V=100-277VAC	CCT 50K=5000K	Finish D=Dark Bronze
-----------------------------	---------------------------	----------------------------------	-------------------------	--------------------------------

PHOTOMETRIC SPEC

BLUE OCEAN LIGHTING™
BOLWPF90W27V50KD
 16' Mounting Height



Illuminance at a Distance

	Center Beam LUX	Beam Width	
2.7ft	3,273 LUX	5.9 ft	10.2 ft
5.3ft	849 LUX	11.6 ft	20.0 ft
8.0ft	373 LUX	17.5 ft	30.1 ft
10.7ft	208 LUX	23.5 ft	40.3 ft
13.3ft	135 LUX	29.2 ft	50.1 ft
16.0ft	93.2 LUX	35.1 ft	60.2 ft

■ Vert. Spread: 95.3°
 ■ Horiz. Spread: 124.0°

