

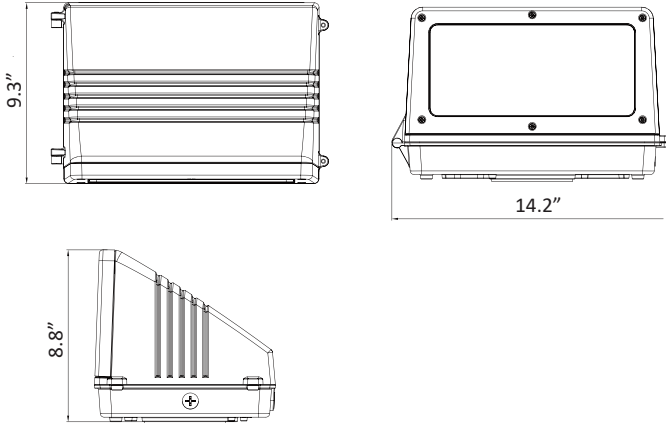
LED WALL PACK

BOLWPF

DESCRIPTION

Designed to deliver high performance and energy efficient illumination, Blue Ocean's BOLWPF Wall Pack series replaces traditional fluorescent, high pressure sodium and metal halide lighting fixtures, delivering exceedingly comfortable light with silent and flicker-free operation and minimized lumen depreciation. Die cast aluminum housing with powder coated finish and sealed gasketed optical compartment protect the fixture from rust, corrosion, contaminants and insects, together with an IP65 rating for damp and wet locations. Full cut-off design complies with Dark Sky requirement. Type III polycarbonate optical lens with UV stabilizers, superior LED chip and UL class 2 high-performance driver together provide excellent thermal performance, high efficacy and great color consistency. Suggested applications: building entrances, stairways, schools, hospitals, hotels, industrial and commercial buildings, and anywhere security lighting is needed.

DRAWING



SPECIFICATION CHART

Model	BOLWPF45W
Voltage	120-277VAC
Wattage	45W
Replacement	175W HID
Lumen Output	4800lm
CRI	82
PFC	0.9
CCT	5000K
Dimension	14.2"X9.3"X8.8"
Operating Temp.	-40~40°C
Finish	Dark Bronze
Mounting	Wall Mount

ORDERING INFORMATION

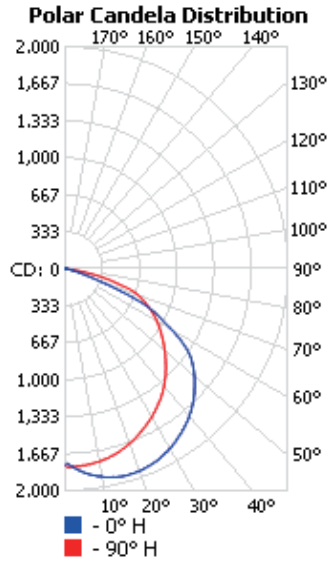
Series No. BOLWPF	Wattage 45W=45W	Voltage 27V=100-277VAC	CCT 50K=5000K	Finish D=Dark Bronze
-----------------------------	---------------------------	----------------------------------	-------------------------	--------------------------------

PHOTOMETRIC SPEC

BLUE OCEAN LIGHTING™

BOLWPF45W27V50KD

16' Mounting Height



Illuminance at a Distance

Distance	Center Beam LUX	Beam Width
2.7ft	2,622 LUX	5.0 ft 10.6 ft
5.3ft	681 LUX	9.8 ft 20.9 ft
8.0ft	299 LUX	14.8 ft 31.5 ft
10.7ft	167 LUX	19.8 ft 42.1 ft
13.3ft	108 LUX	24.6 ft 52.4 ft
16.0ft	74.7 LUX	29.6 ft 63.0 ft

■ Vert. Spread: 85.5°
 ■ Horiz. Spread: 126.2°

