



Project:		Type:	
Location:		Qty:	
Catalog No.:		Date:	
Comments:			

LED HIGH BAY BOLHB05 Type II

DESCRIPTION

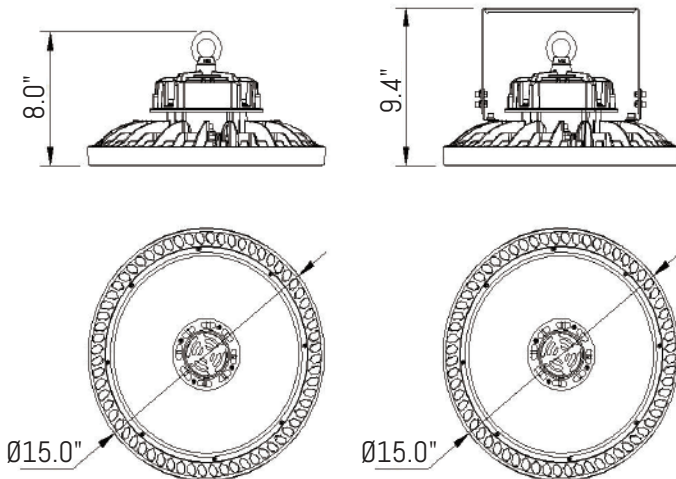
Blue Ocean's BOL 5th Generation LED High Bay Light is designed to replace traditional High-Pressure Sodium and Metal Halide lights in various applications such as: warehouses, factories, gyms, distribution centers and exhibition halls. Working at AC100-277V and AC200-480V environment with high performance driver. Luminaire utilizes 2835 HONGLI LED modules. Lumen efficacy is up to 145 lumen per watt, applying professional light distribution technique with beam angle of 110 degree. Luminaire is constructed with aluminum alloy to provide lighter weight and better heat dissipation. Fully sealed to be IP65 rated is ideal for applications in damp or wet environment, making the luminaire strong and durable. Highly efficient thermal control system enables maximum heat dissipation for LED sources to consistently run cooler for stable performance and even prolonged lifespan. Luminaire is 1-10V dimmable. Wall mount is optional with wall mount bracket. Motion sensor is available to be installed in the center of the luminaire. 5 year limited warranty.



IP RATING
65



DRAWING



SPECIFICATION CHART

Model	BOLHB05
Voltage	100-277VAC 200-480VAC
Wattage	240W
Replacement	600-900W MH
Lumen Output	31000-35000lm
CRI	>80
PFC	>0.9
CCT	4000K 5000K
Beam Angle	110°
Dimension	φ15.0"X8.0"
Weight	11.9lbs
Operating Temperature	-20~50°C
Dimming	1-10V Dimmable

ORDERING INFORMATION

Series BOLHB05	Wattage 240W=240W	Driver S=S0S0EN	LED Chip A=Hongli 2835 750pcs	Lens CG=Clear Tempered Glass	Voltage and Type D2=100-277VAC H2=200-480VAC	CCT 40K=4000K 50K=5000K
--------------------------	-----------------------------	---------------------------	--	---	---	--------------------------------------

Note: specification subject to change without notice

1622 Boundary Road, Burnaby, BC, Canada V5K 4V4

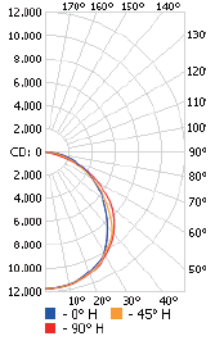
1.866.695.8966



BLUE OCEAN LIGHTING™

BOLHB05240WSACGD250K

Polar Candela Distribution

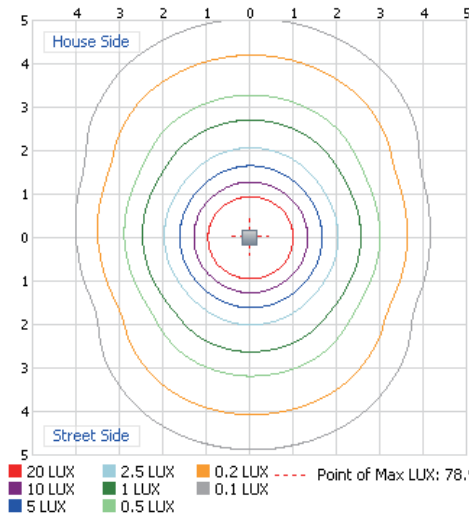


Illuminance at a Distance

	Center Beam LUX	Beam Width	
6.7ft	2,817 LUX	19.4 ft	20.3 ft
13.3ft	715 LUX	38.6 ft	40.2 ft
20.0ft	316 LUX	58.1 ft	60.5 ft
26.7ft	177 LUX	77.5 ft	80.8 ft
33.3ft	114 LUX	96.7 ft	100.7 ft
40.0ft	79.0 LUX	116.1 ft	121.0 ft

Vert. Spread: 110.9°
Horiz. Spread: 113.1°

Isolux Plot



Mount Height: 40ft
Grid Width: 200ft

Total LLF: 1



Reflector

- HB05-R60=60 Degree Reflector
- HB05-R90=90 Degree Reflector
- HB05-R120=120 Degree Reflector



Wall Mount Bracket

- HB05-WM=HB05 Wall Mount Bracket



Microwave Sensor

- HB05-MS=Microwave Sensor***

***Note: For HB05 Type I, microwave sensor is installed on the side of luminaire
For HB05 Type II, microwave sensor is installed in the center of luminaire