



Project:		Type:	
Location:		Qty:	
Catalog No.:		Date:	
Comments:			

LED HIGH BAY BOLHB05 Type II

DESCRIPTION

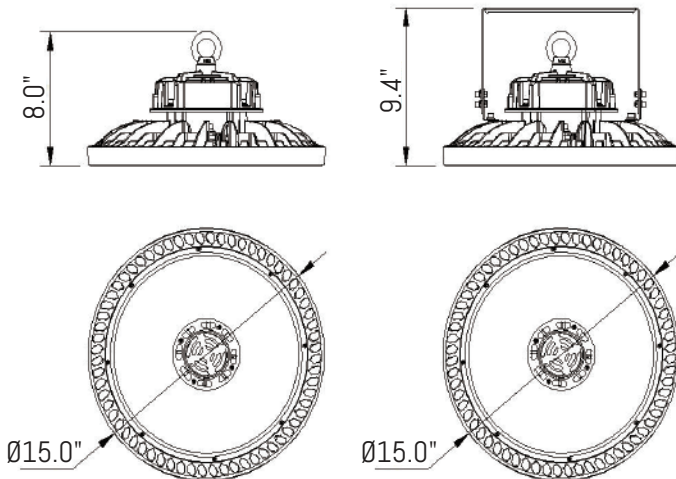
Blue Ocean's BOL 5th Generation LED High Bay Light is designed to replace traditional High-Pressure Sodium and Metal Halide lights in various applications such as: warehouses, factories, gyms, distribution centers and exhibition halls. Working at AC100-277V environment with high performance driver. Luminaire utilizes 2835 HONGLI LED modules. Lumen efficacy is up to 145 lumen per watt, applying professional light distribution technique with beam angle of 110 degree. Luminaire is constructed with aluminum alloy to provide lighter weight and better heat dissipation. Fully sealed to be IP65 rated is ideal for applications in damp or wet environment, making the luminaire strong and durable. Highly efficient thermal control system enables maximum heat dissipation for LED sources to consistently run cooler for stable performance and even prolonged lifespan. Luminaire is 1-10V dimmable. Wall mount is optional with wall mount bracket. Motion sensor is available to be installed in the center of the luminaire. 5 year limited warranty.



IP RATING
65



DRAWING



SPECIFICATION CHART

Model	BOLHB05
Voltage	100-277VAC
Wattage	100W
Replacement	250W HPS MH
Lumen Output	13000-14000lm
CRI	>80
PFC	>0.9
CCT	4000K 5000K
Beam Angle	110°
Dimension	φ15.0"X8.0"
Weight	10.1lbs
Operating Temperature	-20~50°C
Dimming	1-10V Dimmable

ORDERING INFORMATION

Series BOLHB05	Wattage 100W=100W	Driver S=SOS0EN	LED Chip A=Hongli 2835 315pcs	Lens CG=Clear Tempered Glass	Voltage and Type D2=100-277VAC	CCT 40K=4000K 50K=5000K
--------------------------	-----------------------------	---------------------------	--	---	--	--------------------------------------

Note: specification subject to change without notice

1622 Boundary Road, Burnaby, BC, Canada V5K 4V4

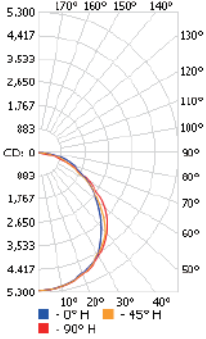
1.866.695.8966



BLUE OCEAN LIGHTING™

BOLHB05100WSACGD250K

Polar Candela Distribution

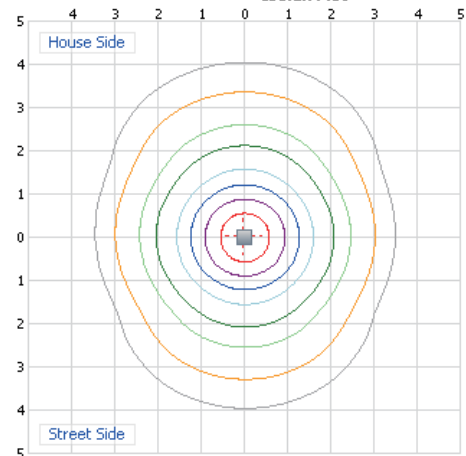


Illuminance at a Distance

Center Beam LUX	Beam Width	
6.7ft	1,255 LUX	19.3 ft 20.2 ft
13.3ft	318 LUX	38.2 ft 40.1 ft
20.0ft	141 LUX	57.5 ft 60.3 ft
26.7ft	79.0 LUX	76.8 ft 80.4 ft
33.3ft	50.8 LUX	95.8 ft 100.3 ft
40.0ft	35.2 LUX	115.0 ft 120.5 ft

Vert. Spread: 110.4°
 Horiz. Spread: 112.8°

Isolux Plot



Mount Height: 40ft
 Grid Width: 200ft

Total LLF: 1

20 LUX 2.5 LUX 0.2 LUX --- Point of Max LUX: 35.16
 10 LUX 1 LUX 0.1 LUX
 5 LUX 0.5 LUX



Reflector

- HB05-R60=60 Degree Reflector
- HB05-R90=90 Degree Reflector
- HB05-R120=120 Degree Reflector



Wall Mount Bracket

- HB05-WM=HB05 Wall Mount Bracket



Microwave Sensor

- HB05-MS=Microwave Sensor***

***Note: For HB05 Type I, microwave sensor is installed on the side of luminaire
 For HB05 Type II, microwave sensor is installed in the center of luminaire