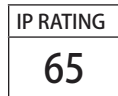


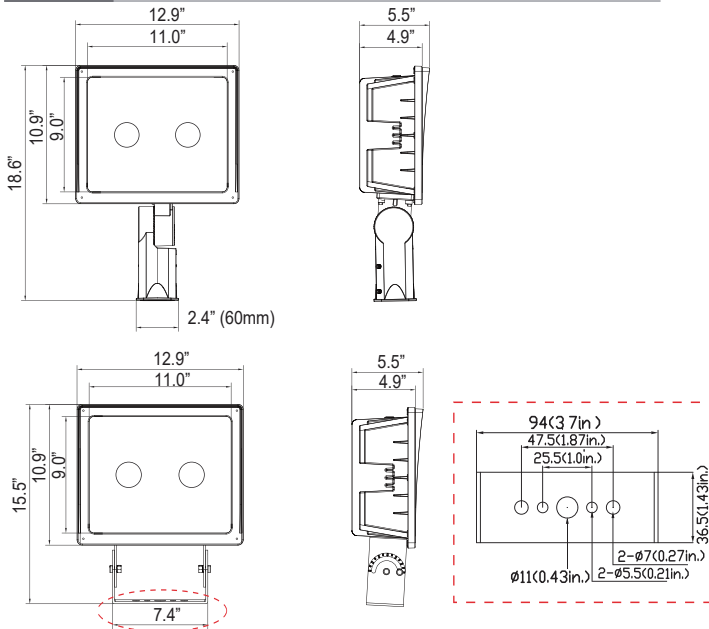
## LED FLOOD LIGHT BOLFD

### DESCRIPTION

Designed to be an excellent replacement for traditional Metal Halide or HPS flood lights in multiple applications including parks, libraries, supermarkets, railway stations, signage etc., Blue Ocean's BOLFD Flood Light Series deliver stable performance, great brightness uniformity, energy efficiency, and colour consistency. Constructed of die-cast aluminum housing and stalinite, fixture is IP65 rated, rust and corrosion proof, and sealed to be free from contaminants, bugs and rain. Featuring trunnion mounting, or knuckle mounting, Fixture is easy to install and operate, with instant start, no flickering, no humming and long lifespan. Professional heatsink maximizes the heat transformation inside the fixture to protect the LED source to even prolong the life of LED chips.



### DRAWING



### SPECIFICATION CHART

Model	BOLFD
Voltage	120-277VAC
Wattage	70W   90W   110W
Replacement	250W   320W   320W HID
Lumen Output	8900lm   11000lm   12500lm
CRI	>70
PFC	>0.9
CCT	4000K   5000K
Beam Angle	107°
Operating Temperature	-20°C to 45°C
Lens	Tempered Glass
Mounting	Slipfitter   Trunnion Mount

### ORDERING INFORMATION

<b>Series No.</b> BOLFD	<b>Wattage</b> 70W=70W 90W=90W 110W=110W	<b>Voltage</b> 27V=120-277V	<b>CCT</b> 40=4000K 50=5000K	<b>CRI</b> B=70 CRI	<b>Finish</b> D=Dark Bronze	<b>Beam Angle</b> WFL=107 Degree	<b>Mounting</b> SM=Slipfitter TM=Trunnion Mount
----------------------------	---	--------------------------------	------------------------------------	------------------------	--------------------------------	-------------------------------------	---

**PHOTOMETRIC SPEC**

## BLUE OCEAN LIGHTING™

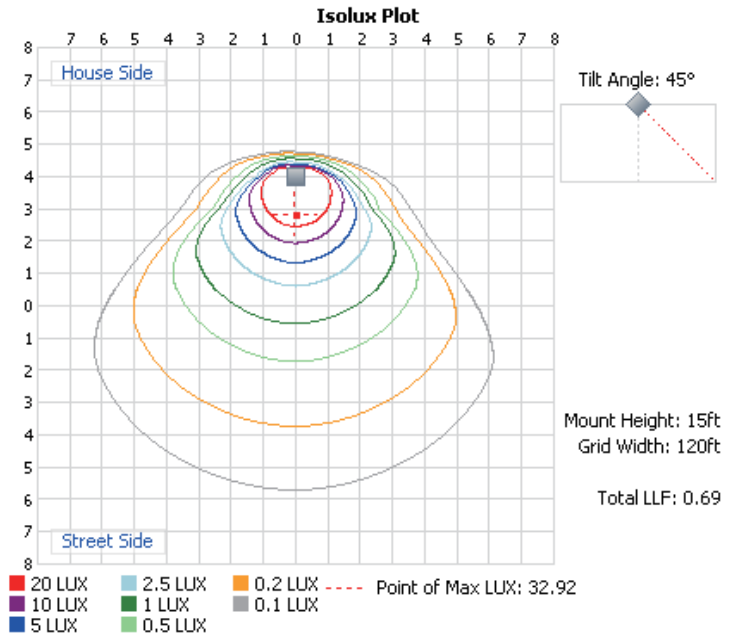
### BOLFD70W27V50KBDWFL

15' Mounting Height

**Illuminance at a Distance**

	Center Beam LUX	Beam Width	
2.7ft	5,243 LUX	8.4 ft	7.5 ft
5.3ft	1,361 LUX	16.4 ft	14.8 ft
8.0ft	597 LUX	24.8 ft	22.4 ft
10.7ft	334 LUX	33.2 ft	29.9 ft
13.3ft	216 LUX	41.3 ft	37.2 ft
16.0ft	149 LUX	49.7 ft	44.7 ft

■ Vert. Spread: 114.4°  
■ Horiz. Spread: 108.8°



## BLUE OCEAN LIGHTING™

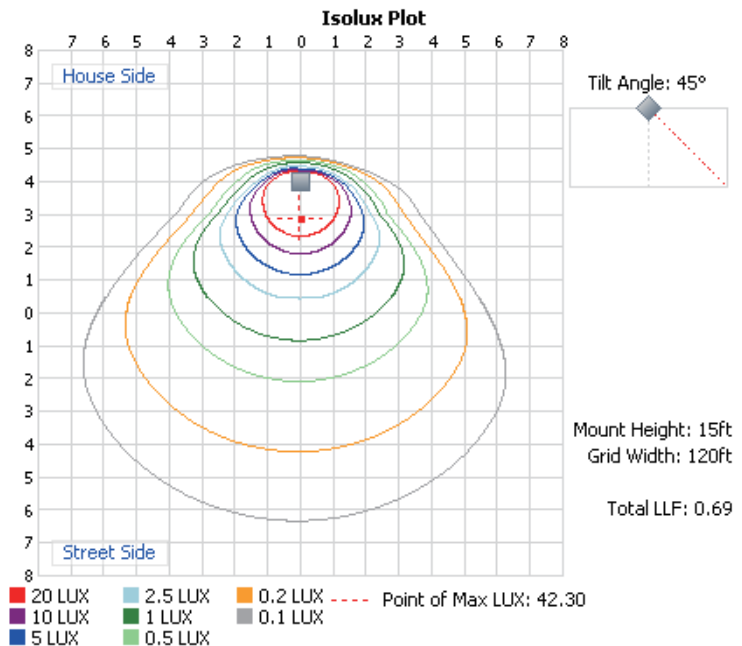
### BOLFD90W27V50KBDWFL

15' Mounting Height

**Illuminance at a Distance**

	Center Beam LUX	Beam Width	
2.7ft	6,230 LUX	8.0 ft	7.5 ft
5.3ft	1,617 LUX	15.8 ft	14.6 ft
8.0ft	710 LUX	23.9 ft	22.1 ft
10.7ft	397 LUX	31.9 ft	29.5 ft
13.3ft	257 LUX	39.7 ft	36.7 ft
16.0ft	177 LUX	47.7 ft	44.2 ft

■ Vert. Spread: 112.3°  
■ Horiz. Spread: 108.1°



**PHOTOMETRIC SPEC**

**BLUE OCEAN LIGHTING™**  
**BOLFD110W27V50KBDWFL**  
15' Mounting Height

**Illuminance at a Distance**

	Center Beam LUX	Beam Width	
2.7ft	<b>7,332 LUX</b>	<b>7.5 ft</b>	<b>7.8 ft</b>
5.3ft	<b>1,903 LUX</b>	<b>14.7 ft</b>	<b>15.3 ft</b>
8.0ft	<b>835 LUX</b>	<b>22.2 ft</b>	<b>23.1 ft</b>
10.7ft	<b>467 LUX</b>	<b>29.7 ft</b>	<b>30.9 ft</b>
13.3ft	<b>302 LUX</b>	<b>37.0 ft</b>	<b>38.4 ft</b>
16.0ft	<b>209 LUX</b>	<b>44.5 ft</b>	<b>46.2 ft</b>

■ Vert. Spread: 108.5°  
■ Horiz. Spread: 110.6°

