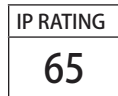


# LED FLOOD LIGHT

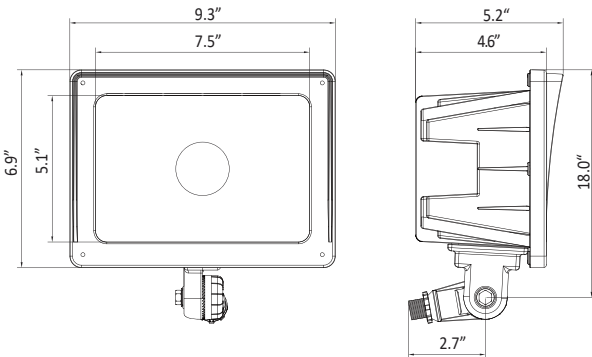
## BOLFD

### DESCRIPTION

Designed to be an excellent replacement for traditional Metal Halide or HPS flood lights in multiple applications including parks, libraries, supermarkets, railway stations, signage etc., Blue Ocean's BOLFD Flood Light Series deliver stable performance, great brightness uniformity, energy efficiency, and colour consistency. Constructed of die-cast aluminum housing and stalinite, fixture is IP65 rated, rust and corrosion proof, and sealed to be free from contaminants, bugs and rain. Featuring trunnion mounting, or knuckle mounting, Fixture is easy to install and operate, with instant start, no flickering, no humming and long lifespan. Professional heatsink maximizes the heat transformation inside the fixture to protect the LED source to even prolong the life of LED chips.



### DRAWING



### SPECIFICATION CHART

Model	BOLFD
Voltage	120-277VAC
Wattage	45W   65W
Replacement	175W   250W HID
Lumen Output	5300lm   7400lm
CRI	>70
PFC	>0.9
CCT	4000K   5000K
Beam Angle	107°
Operating Temperature	-20°C to 45°C
Lens	Tempered Glass
Mounting	1/2" Knuckle Mount

### ORDERING INFORMATION

<b>Series No.</b> BOLFD	<b>Wattage</b> 45W=45W 65W=65W	<b>Voltage</b> 27V=120-277V	<b>CCT</b> 40=4000K 50=5000K	<b>CRI</b> B=70 CRI	<b>Finish</b> D=Dark Bronze	<b>Beam Angle</b> WFL=107 Degree
----------------------------	--------------------------------------	--------------------------------	------------------------------------	------------------------	--------------------------------	-------------------------------------

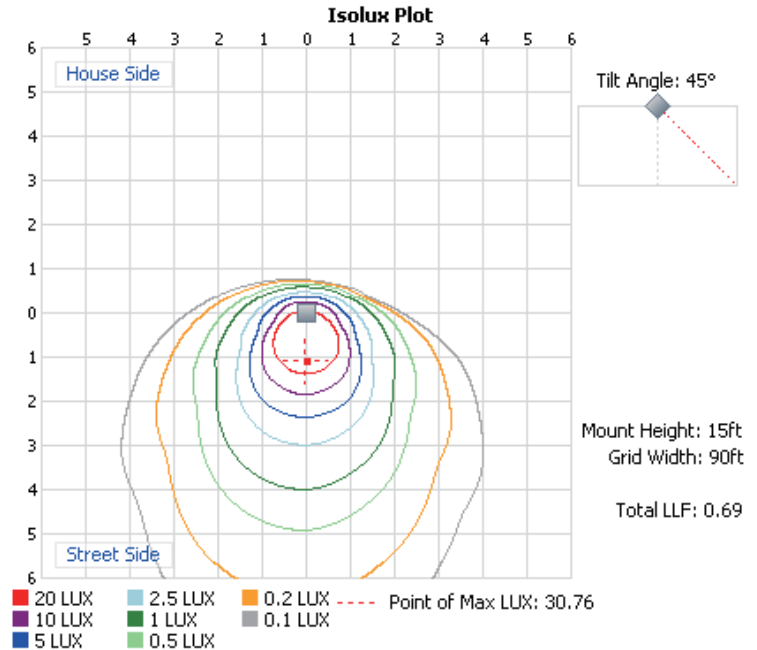
**PHOTOMETRIC SPEC**

## BLUE OCEAN LIGHTING™ BOLFD45W27V50KBDWFL 15' Mounting Height

**Illuminance at a Distance**

	Center Beam LUX	Beam Width	
2.7ft	<b>4,488 LUX</b>	<b>4.0 ft</b>	<b>4.0 ft</b>
5.3ft	<b>1,165 LUX</b>	<b>7.9 ft</b>	<b>7.8 ft</b>
8.0ft	<b>511 LUX</b>	<b>11.9 ft</b>	<b>11.8 ft</b>
10.7ft	<b>286 LUX</b>	<b>15.9 ft</b>	<b>15.8 ft</b>
13.3ft	<b>185 LUX</b>	<b>19.7 ft</b>	<b>19.6 ft</b>
16.0ft	<b>128 LUX</b>	<b>23.8 ft</b>	<b>23.6 ft</b>

■ Vert. Spread: 73.2°  
■ Horiz. Spread: 72.9°



## BLUE OCEAN LIGHTING™ BOLFD45W27V50KBDWFL 15' Mounting Height

**Illuminance at a Distance**

	Center Beam LUX	Beam Width	
2.7ft	<b>4,455 LUX</b>	<b>7.5 ft</b>	<b>7.5 ft</b>
5.3ft	<b>1,156 LUX</b>	<b>14.7 ft</b>	<b>14.7 ft</b>
8.0ft	<b>507 LUX</b>	<b>22.3 ft</b>	<b>22.1 ft</b>
10.7ft	<b>284 LUX</b>	<b>29.8 ft</b>	<b>29.6 ft</b>
13.3ft	<b>184 LUX</b>	<b>37.0 ft</b>	<b>36.8 ft</b>
16.0ft	<b>127 LUX</b>	<b>44.5 ft</b>	<b>44.2 ft</b>

■ Vert. Spread: 108.6°  
■ Horiz. Spread: 108.2°

