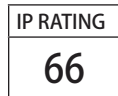


LED FLOOD LIGHT

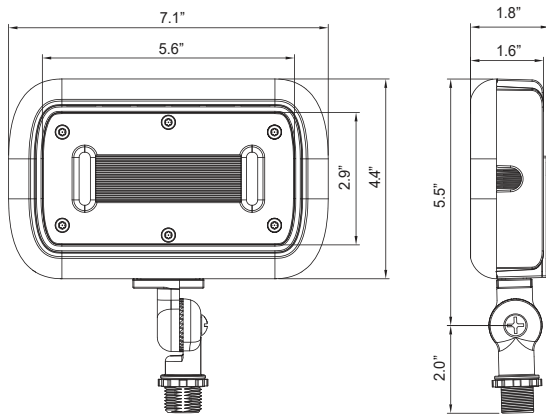
BOLFD MINI

DESCRIPTION

Designed to be an excellent replacement for traditional Metal Halide or HPS flood lights in multiple applications including parks, libraries, supermarkets, railway stations, signage etc., Blue Ocean's BOLFD MINI Flood Light Series deliver stable performance, great brightness uniformity, energy efficiency, and colour consistency. Constructed of die-cast aluminum housing and stalinite, fixture is IP65 rated, rust and corrosion proof, and sealed to be free from contaminants, bugs and rain. Featuring trunion mounting, or knuckle mounting, fixture is easy to install and operate, with instant start, no flickering, no humming and long lifespan. Professional heatsink maximizes the heat transformation inside the fixture to protect the LED source to even prolong the life of LED chips.



DRAWING



SPECIFICATION CHART

Model	BOLFD
Voltage	120-277VAC
Wattage	30W
Replacement	70W HID
Lumen Output	3000lm
CRI	>70
PFC	>0.9
CCT	4000K 5000K
Beam Angle	NEMA 7Hx7V
Operating Temperature	-40°C to 45°C
Weight	1.89lb
Mounting	1/2" Knuckle Mount

ORDERING INFORMATION

Series No. BOLFD	Wattage 30W=30W	Voltage 27V=120-277V	CCT 40=4000K 50=5000K	CRI B=70 CRI	Finish D=Dark Bronze	Beam Angle B77=7Hx7V
----------------------------	---------------------------	--------------------------------	------------------------------------	------------------------	--------------------------------	--------------------------------



Project: _____ Type: _____
 Notes: _____ Catalog #: _____

PHOTOMETRIC SPEC

BLUE OCEAN LIGHTING™
BOLFD30W27V50KBDB77
 15' Mounting Height

Illuminance at a Distance

	Center Beam LUX	Beam Width	
2.7ft	1,683 LUX	5.4 ft	7.9 ft
5.3ft	437 LUX	10.7 ft	15.5 ft
8.0ft	192 LUX	16.1 ft	23.3 ft
10.7ft	107 LUX	21.5 ft	31.2 ft
13.3ft	69.4 LUX	26.8 ft	38.8 ft
16.0ft	47.9 LUX	32.2 ft	46.7 ft

■ Vert. Spread: 90.4°
 ■ Horiz. Spread: 111.2°

