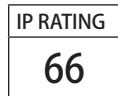


# LED FLOOD LIGHT

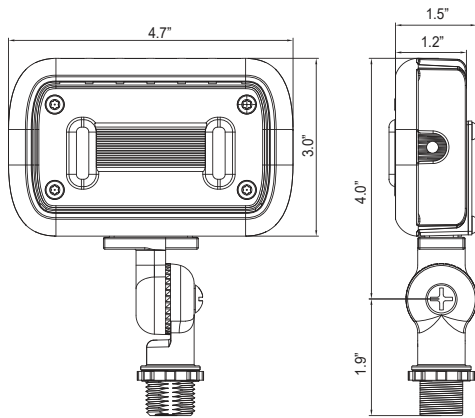
## BOLFD MINI

### DESCRIPTION

Designed to be an excellent replacement for traditional Metal Halide or HPS flood lights in multiple applications including parks, libraries, supermarkets, railway stations, signage etc., Blue Ocean's BOLFD MINI Flood Light Series deliver stable performance, great brightness uniformity, energy efficiency, and colour consistency. Constructed of die-cast aluminum housing and stalinite, fixture is IP65 rated, rust and corrosion proof, and sealed to be free from contaminants, bugs and rain. Featuring trunnion mounting, or knuckle mounting, fixture is easy to install and operate, with instant start, no flickering, no humming and long lifespan. Professional heatsink maximizes the heat transformation inside the fixture to protect the LED source to even prolong the life of LED chips.



### DRAWING



### SPECIFICATION CHART

|                       |                    |
|-----------------------|--------------------|
| Model                 | BOLFD              |
| Voltage               | 120-277VAC         |
| Wattage               | 15W                |
| Replacement           | 50W HID            |
| Lumen Output          | 1500lm             |
| CRI                   | >70                |
| PFC                   | >0.9               |
| CCT                   | 4000K   5000K      |
| Beam Angle            | NEMA 7Hx7V         |
| Operating Temperature | -40°C to 45°C      |
| Weight                | 0.94lb             |
| Mounting              | 1/2" Knuckle Mount |

### ORDERING INFORMATION

|                            |                           |                                |                                    |                        |                                |                                |
|----------------------------|---------------------------|--------------------------------|------------------------------------|------------------------|--------------------------------|--------------------------------|
| <b>Series No.</b><br>BOLFD | <b>Wattage</b><br>15W=15W | <b>Voltage</b><br>27V=120-277V | <b>CCT</b><br>40=4000K<br>50=5000K | <b>CRI</b><br>B=70 CRI | <b>Finish</b><br>D=Dark Bronze | <b>Beam Angle</b><br>B77=7Hx7V |
|----------------------------|---------------------------|--------------------------------|------------------------------------|------------------------|--------------------------------|--------------------------------|



Project: \_\_\_\_\_ Type: \_\_\_\_\_  
 Notes: \_\_\_\_\_ Catalog #: \_\_\_\_\_

**PHOTOMETRIC SPEC**

**BLUE OCEAN LIGHTING™**  
**BOLFD15W27V50KBDB77**  
 15' Mounting Height

**Illuminance at a Distance**

|        | Center Beam LUX | Beam Width     |                |
|--------|-----------------|----------------|----------------|
| 2.7ft  | <b>814 LUX</b>  | <b>5.4 ft</b>  | <b>9.2 ft</b>  |
| 5.3ft  | <b>211 LUX</b>  | <b>10.6 ft</b> | <b>18.1 ft</b> |
| 8.0ft  | <b>92.7 LUX</b> | <b>16.0 ft</b> | <b>27.3 ft</b> |
| 10.7ft | <b>51.8 LUX</b> | <b>21.4 ft</b> | <b>36.6 ft</b> |
| 13.3ft | <b>33.5 LUX</b> | <b>26.6 ft</b> | <b>45.4 ft</b> |
| 16.0ft | <b>23.2 LUX</b> | <b>32.0 ft</b> | <b>54.7 ft</b> |

■ Vert. Spread: 90.1°  
■ Horiz. Spread: 119.3°

