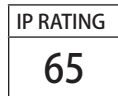


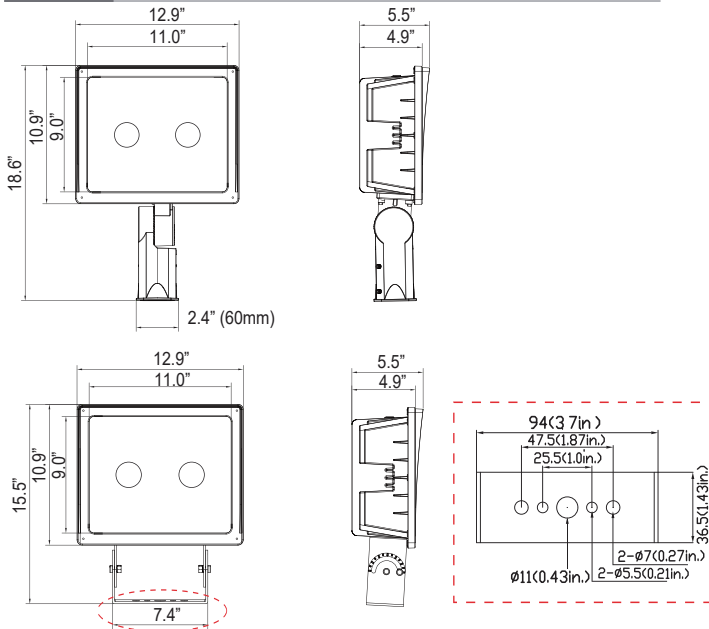
LED FLOOD LIGHT BOLFD

DESCRIPTION

Designed to be an excellent replacement for traditional Metal Halide or HPS flood lights in multiple applications including parks, libraries, supermarkets, railway stations, signage etc., Blue Ocean's BOLFD Flood Light Series deliver stable performance, great brightness uniformity, energy efficiency, and colour consistency. Constructed of die-cast aluminum housing and stalinite, fixture is IP65 rated, rust and corrosion proof, and sealed to be free from contaminants, bugs and rain. Featuring trunnion mounting, or knuckle mounting, Fixture is easy to install and operate, with instant start, no flickering, no humming and long lifespan. Professional heatsink maximizes the heat transformation inside the fixture to protect the LED source to even prolong the life of LED chips.



DRAWING



SPECIFICATION CHART

Model	BOLFD
Voltage	120-277VAC
Wattage	70W 90W 110W
Replacement	250W 320W 320W HID
Lumen Output	8900lm 11000lm 12500lm
CRI	>70
PFC	>0.9
CCT	4000K 5000K
Beam Angle	107°
Operating Temperature	-20°C to 45°C
Lens	Tempered Glass
Mounting	Slipfitter Trunnion Mount

ORDERING INFORMATION

Series No. BOLFD	Wattage 70W=70W 90W=90W 110W=110W	Voltage 27V=120-277V	CCT 40=4000K 50=5000K	CRI B=70 CRI	Finish D=Dark Bronze	Beam Angle WFL=107 Degree	Mounting SM=Slipfitter TM=Trunnion Mount
----------------------------	---	--------------------------------	------------------------------------	------------------------	--------------------------------	-------------------------------------	---

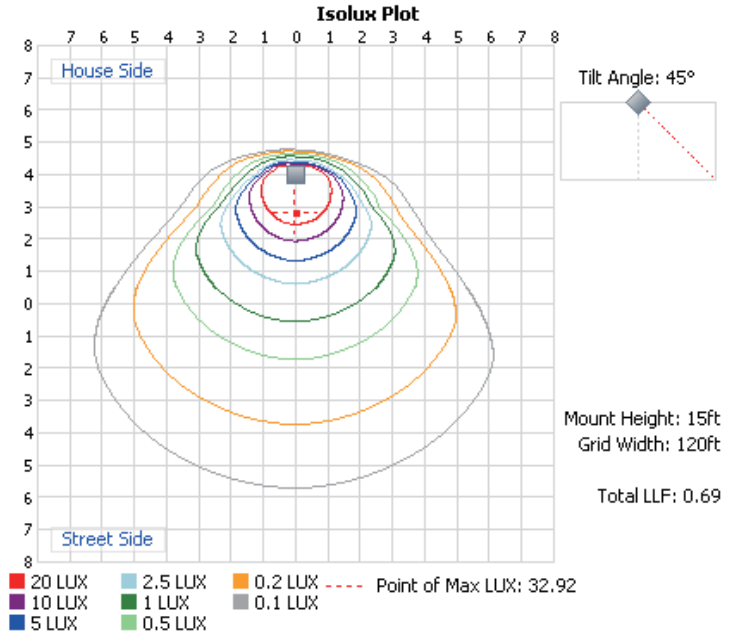
PHOTOMETRIC SPEC

BLUE OCEAN LIGHTING™ BOLFD70W27V50KBDWFL 15' Mounting Height

Illuminance at a Distance

	Center Beam LUX	Beam Width	
2.7ft	5,243 LUX	8.4 ft	7.5 ft
5.3ft	1,361 LUX	16.4 ft	14.8 ft
8.0ft	597 LUX	24.8 ft	22.4 ft
10.7ft	334 LUX	33.2 ft	29.9 ft
13.3ft	216 LUX	41.3 ft	37.2 ft
16.0ft	149 LUX	49.7 ft	44.7 ft

■ Vert. Spread: 114.4°
■ Horiz. Spread: 108.8°

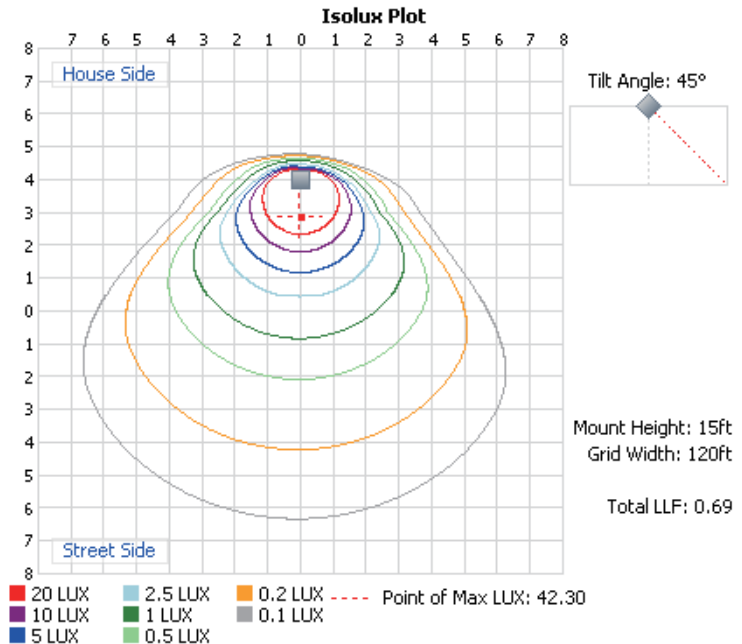


BLUE OCEAN LIGHTING™ BOLFD90W27V50KBDWFL 15' Mounting Height

Illuminance at a Distance

	Center Beam LUX	Beam Width	
2.7ft	6,230 LUX	8.0 ft	7.5 ft
5.3ft	1,617 LUX	15.8 ft	14.6 ft
8.0ft	710 LUX	23.9 ft	22.1 ft
10.7ft	397 LUX	31.9 ft	29.5 ft
13.3ft	257 LUX	39.7 ft	36.7 ft
16.0ft	177 LUX	47.7 ft	44.2 ft

■ Vert. Spread: 112.3°
■ Horiz. Spread: 108.1°



PHOTOMETRIC SPEC

BLUE OCEAN LIGHTING™
BOLFD110W27V50KBDWFL
15' Mounting Height

Illuminance at a Distance

	Center Beam LUX	Beam Width	
2.7ft	7,332 LUX	7.5 ft	7.8 ft
5.3ft	1,903 LUX	14.7 ft	15.3 ft
8.0ft	835 LUX	22.2 ft	23.1 ft
10.7ft	467 LUX	29.7 ft	30.9 ft
13.3ft	302 LUX	37.0 ft	38.4 ft
16.0ft	209 LUX	44.5 ft	46.2 ft

■ Vert. Spread: 108.5°
■ Horiz. Spread: 110.6°

