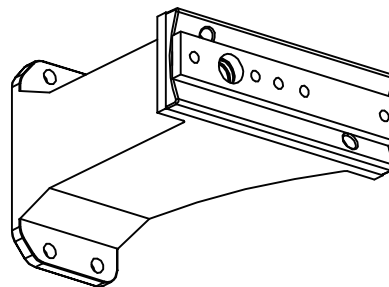
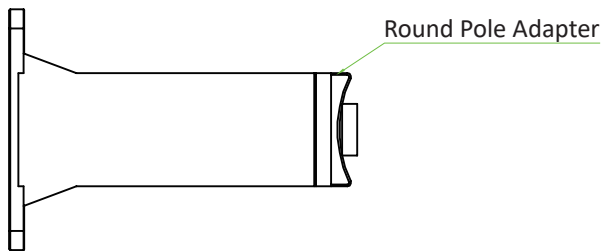
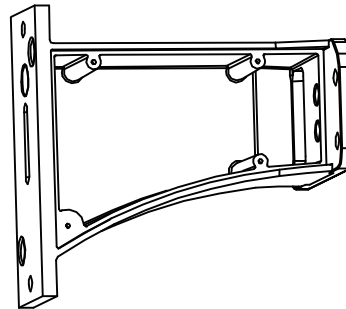
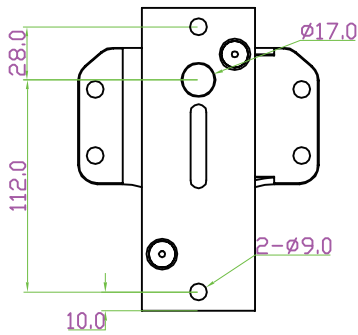
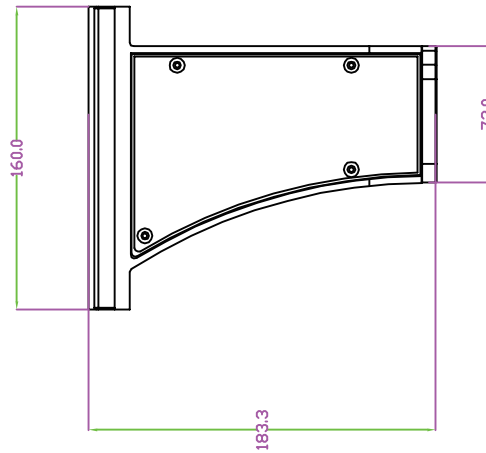
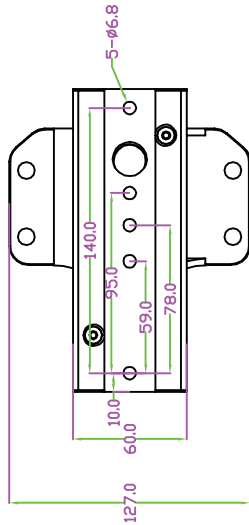
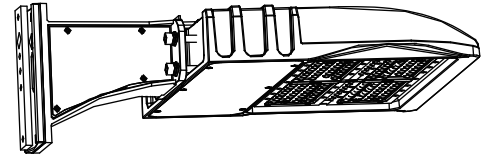


TECHNICAL DRAWING

M2-DIRECT ARM POLE - BOLSBA/B Area Light



Unit: mm