

LED Slim Panel Downlight - 4"

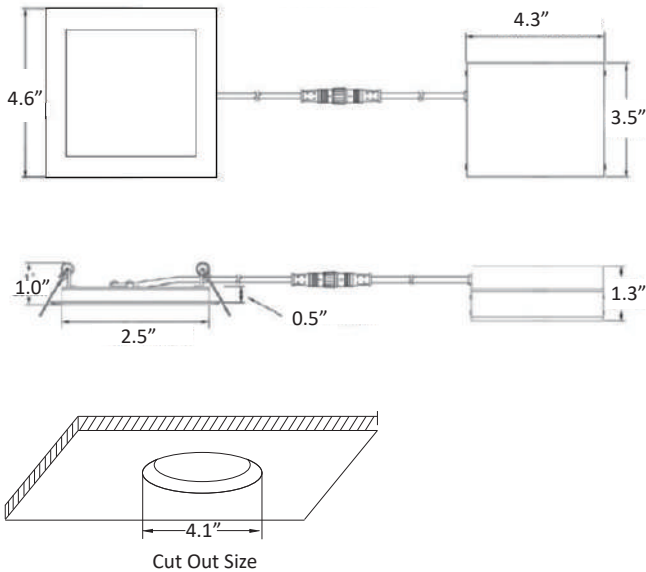
BOL-SSP

DESCRIPTION

As an excellent solution to shallow ceiling's down lighting in homes, offices and hotel lobbies where the room above the ceiling can hardly accommodate a can, Blue Ocean's BOL-SSP LED Slim Panel Downlight series features a super slim design with firmly securing side clicks, ensuring quick and easy installation in minutes and excellent performance for years to come. Featuring aluminum die-cast housing with baking varnish finishing, this Ultra-slim Recessed Downlight helps promote an aesthetically pleasing, simple and elegant ambience. High quality SMD2835 LED chips and 0.95 high PFC driver in an isolated external junction box are utilized to ensure excellent luminous efficiency, colour consistency and stable performance. Fixture is IP43 rated and suitable for damp locations. Type IC rated and Airtight, this slim panel downlight is approved for direct contact with insulation, together with fine technology to reduce both heat and cooling cost.



DRAWING



IP RATING
43

5
YEAR
WARRANTY



SPECIFICATION CHART

Model	BOL-SSP-4-10W
Voltage	120VAC
Wattage	10W
Replacement	60W Incandescent
Lumen Output	500lm
CRI	>80
PFC	>0.95
CCT	2700K 3000K 4000K 5000K
Beam Angle	120°
Installation	Recessed Mount
IC Rated	Type-IC & Air-Tight
Damp Rated	Yes
Operating Temperature	-40~40°C

ORDERING INFORMATION

Series No. BOL-SSP	Size 4=4inch	Wattage 10W=10W	CCT 27=2700K 30=3000K 40=4000K 50=5000K	Input Voltage 120=120VAC	Dimming D=Triac Dimming
------------------------------	------------------------	---------------------------	--	------------------------------------	-----------------------------------