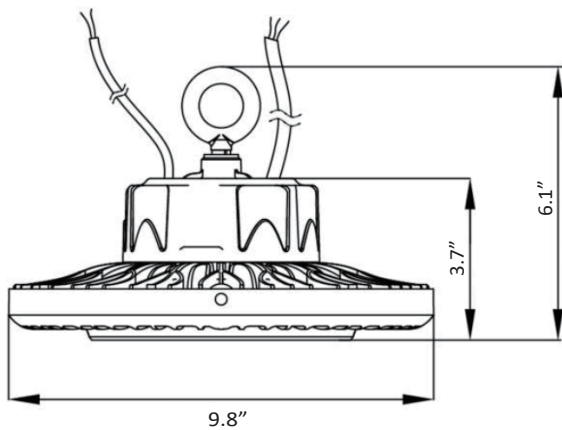


# LED MINI DESIGNER HIGH BAY BOLBAY

## DESCRIPTION

Providing innovative design, excellent performance and outstanding energy efficiency in interior spaces such as gyms, churches, shopping malls, showrooms, warehouses and other commercial and industrial applications, Blue Ocean's BOLBAY LED Mini Slim Designer High Bay series offers a variety of wattage versions and colour temperatures, and is constructed of stylish and fashionable lotus shaped aluminum housing together with a transparent tempered glass (120° beam angle) / micro prismatic PMMA (90°) / honeycomb (60°) lens. With Meanwell's latest HGB series low voltage constant current driver applied, high power factor, safety and stability are guaranteed. High-quality, super bright LED source ensures the high luminous efficiency, great colour consistency and minimum lumens depreciation. Highly efficient thermal control system enables maximum heat dissipation for LED sources to consistently run cooler for stable performance and even prolonged lifespan. Fixture is IP65 rated for damp locations and 1-10V dimmable.

## DRAWING



IP RATING  
**65**

**5**  
YEAR  
WARRANTY

**ETL**  
US  
Intertek

## SPECIFICATION CHART

Model	BOLBAY80W-XXK-LY
Voltage	100-277VAC
Wattage	80W
Replacement	200W HPS/MH
Lumen Output	8000-9200lm
CRI	>80
PFC	>0.95
CCT	4000K   5000K
Housing	Aluminum
Beam Angle	120°   90°   60°
Installation	Suspended Mount   Wall Mount
Operating Temp.	-20~45°C
Dimming	1-10V Dimming

## ORDERING INFORMATION

Series No.  
**BOLBAY**

Wattage  
**80W=80W**

CCT  
**40K=4000K**  
**50K=5000K**

Beam Angle  
**L60=60 Degree**  
**L90=90 Degree**  
**L120=120 Degree**

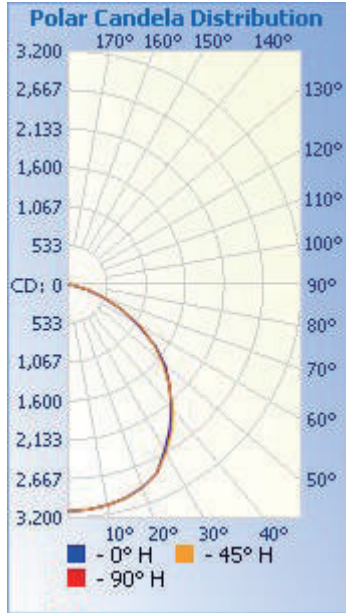
Finish  
**Blank=Black**  
**WHT=White\***



### Accessories

60° Micro Prismatic Reflector: **ACC-HB-REF-60D-TP-MINI**

Wall Mount Bracket: **ACC-HB-WALL-M-MINI**

**PHOTOMETRIC SPEC**


## BLUE OCEAN LIGHTING™

### BOLBAY80W40KL120

15' Mounting Height

	Center Beam LUX	Beam Width	
2.5ft	<b>5,372 LUX</b>	<b>6.5 ft</b>	<b>6.5 ft</b>
5.0ft	<b>1,343 LUX</b>	<b>13.0 ft</b>	<b>13.0 ft</b>
7.5ft	<b>597 LUX</b>	<b>19.4 ft</b>	<b>19.5 ft</b>
10.0ft	<b>336 LUX</b>	<b>25.9 ft</b>	<b>26.0 ft</b>
12.5ft	<b>215 LUX</b>	<b>32.4 ft</b>	<b>32.5 ft</b>
15.0ft	<b>149 LUX</b>	<b>38.9 ft</b>	<b>39.1 ft</b>

■ Vert. Spread: 104.7°  
■ Horiz. Spread: 104.9°

**Coefficients Of Utilization - Zonal Cavity Method**

Effective Floor Cavity Reflectance: 20%

RCC %:	80		70		50		30		10		0							
RW %:	<u>70</u>	<u>50</u>	<u>30</u>	<u>0</u>	<u>70</u>	<u>50</u>	<u>30</u>	<u>0</u>	<u>50</u>	<u>30</u>	<u>20</u>	<u>50</u>	<u>30</u>	<u>20</u>	<u>50</u>	<u>30</u>	<u>20</u>	<u>0</u>
RCR: 0	1.19	1.19	1.19	1.19	1.16	1.16	1.16	1.00	1.11	1.11	1.11	1.06	1.06	1.06	1.02	1.02	1.02	1.00
1	1.10	1.06	1.02	.99	1.07	1.04	1.00	.87	.99	.97	.94	.96	.93	.91	.92	.90	.88	.86
2	1.01	.93	.87	.82	.98	.92	.86	.75	.88	.83	.79	.85	.81	.77	.82	.79	.76	.74
3	.93	.83	.75	.69	.90	.81	.74	.64	.78	.72	.67	.76	.70	.66	.73	.69	.65	.63
4	.85	.74	.65	.59	.83	.72	.65	.56	.70	.63	.58	.68	.62	.57	.66	.61	.56	.54
5	.78	.66	.58	.51	.76	.65	.57	.49	.63	.56	.50	.61	.55	.50	.59	.54	.49	.47
6	.73	.60	.51	.45	.71	.59	.51	.44	.57	.50	.44	.55	.49	.44	.54	.48	.44	.42
7	.67	.54	.46	.40	.66	.54	.45	.39	.52	.45	.40	.51	.44	.39	.49	.43	.39	.37
8	.63	.50	.41	.36	.61	.49	.41	.35	.48	.41	.35	.46	.40	.35	.45	.39	.35	.33
9	.59	.46	.38	.32	.57	.45	.37	.32	.44	.37	.32	.43	.36	.32	.42	.36	.32	.30
10	.55	.42	.34	.29	.54	.42	.34	.29	.41	.34	.29	.40	.33	.29	.39	.33	.29	.27

**Zonal Lumen Summary**

Zone	Lumens	% Lamp	% Luminaire
0-30	2,452.5	31.3%	31.3%
0-40	3,965.5	50.6%	50.6%
0-60	6,710.3	85.7%	85.7%
60-90	1,121.9	14.3%	14.3%
0-90	7,832.2	100%	100%

**Lumens Per Zone**

Zone	Lumens	% Total
0-10	295.5	3.8%
10-20	855.0	10.9%
20-30	1,301.9	16.6%
30-40	1,513.0	19.3%
40-50	1,492.8	19.1%
50-60	1,252.0	16.0%
60-70	780.2	10.0%
70-80	298.0	3.8%
80-90	43.7	0.6%