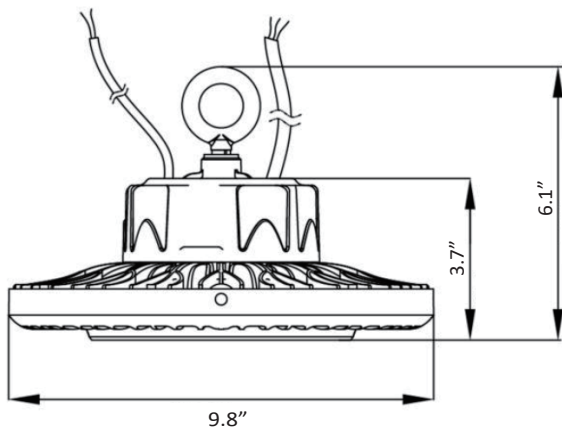


LED MINI DESIGNER HIGH BAY BOLSBAY

DESCRIPTION

Providing innovative design, excellent performance and outstanding energy efficiency in interior spaces such as gyms, churches, shopping malls, showrooms, warehouses and other commercial and industrial applications, Blue Ocean's BOLSBAY LED Mini Slim Designer High Bay series offers a variety of wattage versions and colour temperatures, and is constructed of stylish and fashionable lotus shaped aluminum housing together with a transparent tempered glass (120° beam angle) / micro prismatic PMMA (90°) / honeycomb (60°) lens. With Meanwell's latest HGB series low voltage constant current driver applied, high power factor, safety and stability are guaranteed. High-quality, super bright LED source ensures the high luminous efficiency, great colour consistency and minimum lumens depreciation. Highly efficient thermal control system enables maximum heat dissipation for LED sources to consistently run cooler for stable performance and even prolonged lifespan. Fixture is IP65 rated for damp locations and 1-10V dimmable.

DRAWING



IP RATING
65

5
YEAR
WARRANTY

ETL
C-ULISTED-US
Intertek

SPECIFICATION CHART

Model	BOLBAY60W-XXK-LY
Voltage	100-277VAC
Wattage	60W
Replacement	150W 175W HID
Lumen Output	6000-6900lm
CRI	>80
PFC	>0.95
CCT	4000K 5000K
Housing	Aluminum
Beam Angle	120° 90° 60°
Installation	Suspended Mount Wall Mount
Operating Temp.	-20~45°C
Dimming	1-10V Dimming

ORDERING INFORMATION

Series No.
BOLBAY

Wattage
60W=60W

CCT
40K=4000K
50K=5000K

Beam Angle
L60=60 Degree
L90=90 Degree
L120=120 Degree

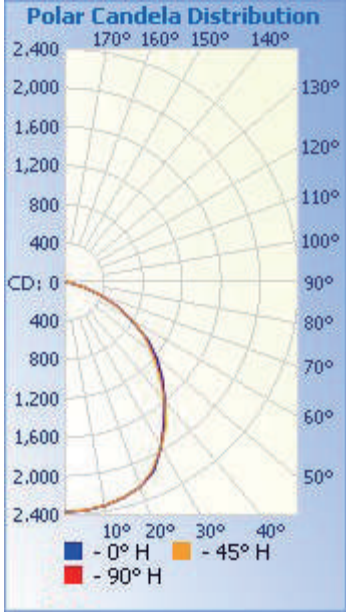
Finish
Blank=Black
WHT=White*



Accessories

60° Micro Prismatic Reflector: **ACC-HB-REF-60D-TP-MINI**
Wall Mount Bracket: **ACC-HB-WALL-M-MINI**

PHOTOMETRIC SPEC



BLUE OCEAN LIGHTING™

BOLBAY60W40KL120

15' Mounting Height

	Center Beam LUX	Beam Width	
2.5ft	4,097 LUX	6.3 ft	6.3 ft
5.0ft	1,024 LUX	12.6 ft	12.6 ft
7.5ft	455 LUX	18.9 ft	18.9 ft
10.0ft	256 LUX	25.2 ft	25.2 ft
12.5ft	164 LUX	31.5 ft	31.4 ft
15.0ft	114 LUX	37.7 ft	37.7 ft

■ Vert. Spread: 103.0°
■ Horiz. Spread: 103.0°

Coefficients Of Utilization - Zonal Cavity Method

Effective Floor Cavity Reflectance: 20%

RCC %:	80				70				50			30			10			0
RW %:	70	50	30	0	70	50	30	0	50	30	20	50	30	20	50	30	20	0
RCR: 0	1.19	1.19	1.19	1.19	1.16	1.16	1.16	1.00	1.11	1.11	1.11	1.06	1.06	1.06	1.02	1.02	1.02	1.00
1	1.10	1.06	1.02	.99	1.07	1.04	1.00	.87	.99	.96	.94	.95	.93	.91	.92	.90	.88	.86
2	1.01	.93	.87	.82	.98	.91	.86	.75	.88	.83	.79	.85	.81	.77	.82	.78	.75	.73
3	.92	.83	.75	.69	.90	.81	.74	.64	.78	.72	.67	.75	.70	.66	.73	.69	.65	.63
4	.85	.74	.65	.59	.83	.72	.65	.56	.70	.63	.58	.68	.62	.57	.65	.60	.56	.54
5	.78	.66	.58	.51	.76	.65	.57	.49	.63	.56	.50	.61	.55	.50	.59	.54	.49	.47
6	.72	.60	.51	.45	.71	.59	.51	.43	.57	.50	.44	.55	.49	.44	.54	.48	.44	.42
7	.67	.54	.46	.40	.66	.53	.45	.39	.52	.45	.39	.51	.44	.39	.49	.43	.39	.37
8	.63	.50	.41	.36	.61	.49	.41	.35	.48	.41	.35	.46	.40	.35	.45	.39	.35	.33
9	.59	.46	.38	.32	.57	.45	.37	.32	.44	.37	.32	.43	.36	.32	.42	.36	.32	.30
10	.55	.42	.34	.29	.54	.42	.34	.29	.41	.34	.29	.40	.33	.29	.39	.33	.29	.27

Zonal Lumen Summary

Zone	Lumens	% Lamp	% Luminaire
0-30	1,874.6	31.5%	31.5%
0-40	3,016.6	50.7%	50.7%
0-60	5,059.7	85.1%	85.1%
60-90	887.2	14.9%	14.9%
0-90	5,946.9	100%	100%

Lumens Per Zone

Zone	Lumens	% Total
0-10	225.7	3.8%
10-20	654.4	11.0%
20-30	994.5	16.7%
30-40	1,142.0	19.2%
40-50	1,109.2	18.7%
50-60	933.9	15.7%
60-70	607.2	10.2%
70-80	243.6	4.1%
80-90	36.4	0.6%