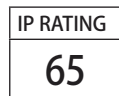
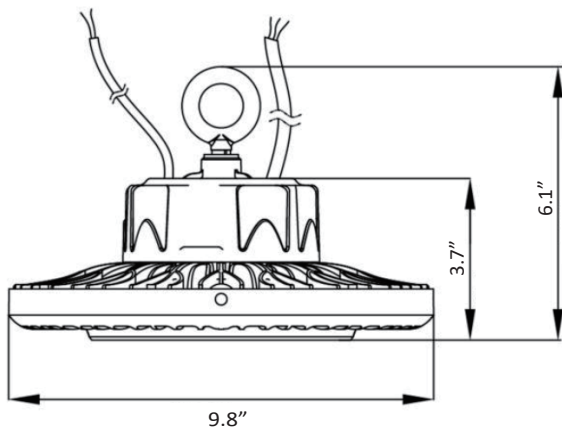


LED MINI DESIGNER HIGH BAY BOLBAY

DESCRIPTION

Providing innovative design, excellent performance and outstanding energy efficiency in interior spaces such as gyms, churches, shopping malls, showrooms, warehouses and other commercial and industrial applications, Blue Ocean's BOLBAY LED Mini Slim Designer High Bay series offers a variety of wattage versions and colour temperatures, and is constructed of stylish and fashionable lotus shaped aluminum housing together with a transparent tempered glass (120° beam angle) / micro prismatic PMMA (90°) / honeycomb (60°) lens. With Meanwell's latest HGB series low voltage constant current driver applied, high power factor, safety and stability are guaranteed. High-quality, super bright LED source ensures the high luminous efficiency, great colour consistency and minimum lumens depreciation. Highly efficient thermal control system enables maximum heat dissipation for LED sources to consistently run cooler for stable performance and even prolonged lifespan. Fixture is IP65 rated for damp locations and 1-10V dimmable.

DRAWING



SPECIFICATION CHART

Model	BOLBAY40W-XXK-LY
Voltage	100-277VAC
Wattage	40W
Replacement	100W HID
Lumen Output	4000-4600lm
CRI	>80
PFC	>0.95
CCT	4000K 5000K
Housing	Aluminum
Beam Angle	120° 90° 60°
Installation	Suspended Mount Wall Mount
Operating Temp.	-20~45°C
Dimming	1-10V Dimming

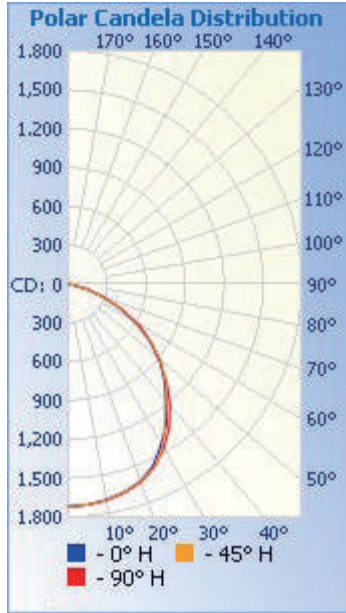
ORDERING INFORMATION

Series No. BOLBAY	Wattage 40W=40W	CCT 40K=4000K 50K=5000K	Beam Angle L60=60 Degree L90=90 Degree L120=120 Degree	Finish Blank=Black WHT=White*
-----------------------------	---------------------------	--------------------------------------	--	--



Accessories

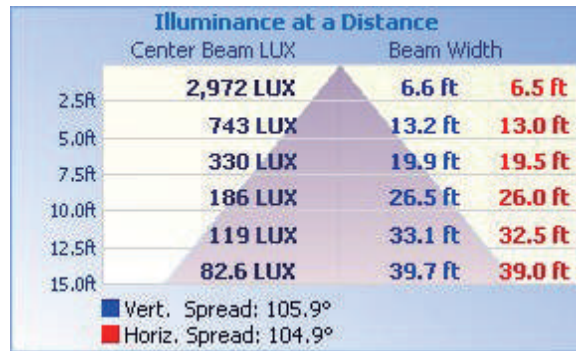
60° Micro Prismatic Reflector: **ACC-HB-REF-60D-TP-MINI**
Wall Mount Bracket: **ACC-HB-WALL-M-MINI**

PHOTOMETRIC SPEC


BLUE OCEAN LIGHTING™

BOLBAY40W40KL120

15' Mounting Height


Coefficients Of Utilization - Zonal Cavity Method

Effective Floor Cavity Reflectance: 20%

RCC %:	80				70				50				30				10				0			
RW %:	70	50	30	0	70	50	30	0	50	30	20	0	50	30	20	0	50	30	20	0	50	30	20	0
RCR: 0	1.19	1.19	1.19	1.19	1.16	1.16	1.16	1.00	1.11	1.11	1.11	1.06	1.06	1.06	1.06	1.02	1.02	1.02	1.02	1.00	1.00	1.00	1.00	1.00
1	1.10	1.06	1.02	.98	1.07	1.03	1.00	.87	.99	.96	.94	.95	.93	.91	.92	.90	.88	.88	.88	.86	.86	.86	.86	.86
2	1.01	.93	.87	.82	.98	.91	.86	.74	.88	.83	.79	.85	.81	.77	.82	.78	.75	.75	.75	.73	.73	.73	.73	.73
3	.92	.82	.75	.69	.90	.81	.74	.64	.78	.72	.67	.75	.70	.66	.73	.68	.65	.65	.65	.63	.63	.63	.63	.63
4	.85	.73	.65	.59	.83	.72	.64	.56	.70	.63	.58	.67	.61	.57	.65	.60	.56	.56	.56	.54	.54	.54	.54	.54
5	.78	.66	.57	.51	.76	.65	.57	.49	.63	.55	.50	.61	.54	.50	.59	.53	.49	.49	.49	.47	.47	.47	.47	.47
6	.72	.59	.51	.45	.70	.58	.50	.43	.57	.49	.44	.55	.49	.44	.53	.48	.43	.43	.43	.41	.41	.41	.41	.41
7	.67	.54	.45	.40	.65	.53	.45	.38	.52	.44	.39	.50	.44	.39	.49	.43	.39	.39	.39	.37	.37	.37	.37	.37
8	.62	.49	.41	.35	.61	.49	.41	.35	.47	.40	.35	.46	.40	.35	.45	.39	.35	.35	.35	.33	.33	.33	.33	.33
9	.58	.45	.37	.32	.57	.45	.37	.31	.44	.37	.32	.43	.36	.32	.42	.36	.31	.31	.31	.30	.30	.30	.30	.30
10	.55	.42	.34	.29	.54	.41	.34	.28	.40	.34	.29	.39	.33	.29	.39	.33	.29	.29	.29	.27	.27	.27	.27	.27

Zonal Lumen Summary

Zone	Lumens	% Lamp	% Luminaire
0-30	1,356.2	30.9%	30.9%
0-40	2,191.5	50%	50%
0-60	3,724.3	85%	85%
60-90	659.4	15%	15%
0-90	4,383.7	100%	100%

Lumens Per Zone

Zone	Lumens	% Total
0-10	163.4	3.7%
10-20	472.7	10.8%
20-30	720.1	16.4%
30-40	835.3	19.1%
40-50	826.3	18.8%
50-60	706.5	16.1%
60-70	456.2	10.4%
70-80	177.8	4.1%
80-90	25.4	0.6%