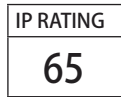
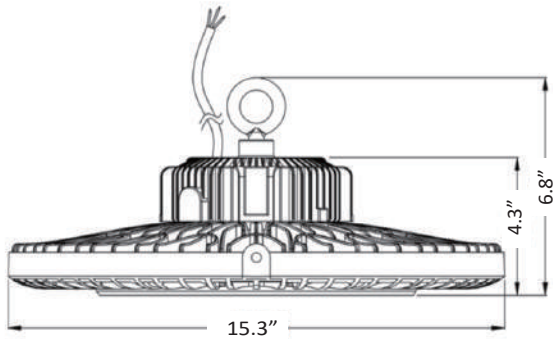


## LED DESIGNER HIGH BAY BOLBAY

### DESCRIPTION

Providing innovative design, excellent performance and outstanding energy efficiency in large interior spaces such as gyms, churches, shopping malls, showrooms, warehouses and heavy industrial settings, Blue Ocean's BOLBAY LED Slim Designer High Bay series offers a variety of wattage versions and colour temperatures, and is constructed of stylish and fashionable lotus shaped aluminum housing together with a transparent tempered glass (120° beam angle) / micro prismatic PMMA (90°) / optional reflector (60°). With Meanwell's latest HGB series low voltage constant current driver applied, high power factor, safety and stability are guaranteed. High-quality, super bright LED source ensures the high luminous efficiency, great colour consistency and minimum lumens depreciation. Highly efficient thermal control system enables maximum heat dissipation for LED sources to consistently run cooler for stable performance and even prolonged lifespan. Fixture is IP65 rated for damp locations and 1-10V dimmable.

### DRAWING



### SPECIFICATION CHART

Model	BOLBAY-200W-XX
Voltage	100-277VAC
Wattage	200W
Replacement	450W   575W HID
Lumen Output	26000lm
CRI	>70
PFC	>0.95
CCT	4000K   5000K
Housing	Aluminum
Beam Angle	120°   90°   60°
Installation	Suspended Mount   Wall Mount   Pole Mount
Operating Temp.	-20~45°C

### ORDERING INFORMATION

<b>Series No.</b> BOLBAY	<b>Wattage</b> 200W=200W	<b>CCT</b> 40K=4000K 50K=5000K	<b>Type</b> AN	<b>Beam Angle</b> 90D=90 Degree 120D=120 Degree	<b>Dimming</b> DL=1-10V Dimming	<b>Finishing</b> BK=Black WH=White*
-----------------------------	-----------------------------	--------------------------------------	-------------------	---	------------------------------------	---



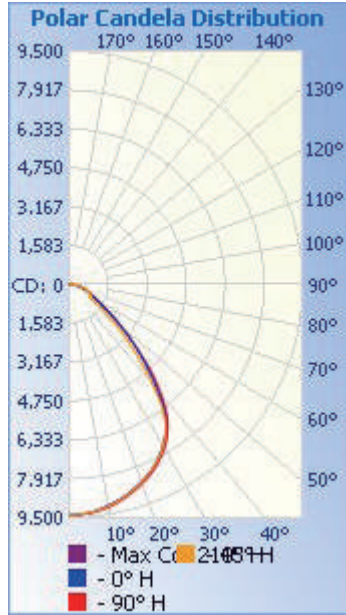
Wall Mount Bracket    Suspension Chain    3/4" NPT to M10 Adapter



60° Aluminum Reflector    60° Acrylic Reflector    90° Prismatic Reflector

### Accessories

- 60° Aluminum Reflector: **ACC-HB-REF-60D**
- 60° Acrylic Reflector: **ACC-HB-REF-60D-TP**
- 90° Prismatic Reflector: **ACC-HB-PRI-90D**
- Wall Mount Bracket: **ACC-HB-WALL-M**
- Suspension Chain: **ACC-HB-CHAIN**
- 3/4" NPT to M10 Adapter: **ACC-HB-RDCR-34M10**

**PHOTOMETRIC SPEC**


## BLUE OCEAN LIGHTING™

### BOLBAY200W40KAN120DDL BK

26' Mounting Height

	Illuminance at a Distance	
	Center Beam LUX	Beam Width
4.3R	<b>5,493 LUX</b>	<b>8.3 ft 8.3 ft</b>
8.7R	<b>1,342 LUX</b>	<b>16.9 ft 16.8 ft</b>
13.0R	<b>601 LUX</b>	<b>25.2 ft 25.1 ft</b>
17.3R	<b>339 LUX</b>	<b>33.5 ft 33.4 ft</b>
21.7R	<b>216 LUX</b>	<b>42.0 ft 41.9 ft</b>
26.0R	<b>150 LUX</b>	<b>50.4 ft 50.2 ft</b>

Vert. Spread: 88.2°  
Horiz. Spread: 88.0°

**Coefficients Of Utilization - Zonal Cavity Method**

Effective Floor Cavity Reflectance: 20%

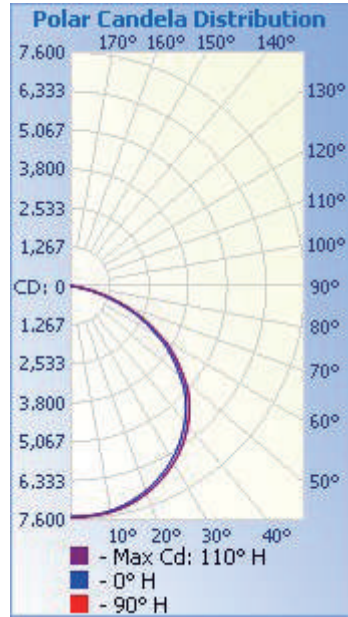
RCC %:	80				70				50			30			10			0
RW %:	70	50	30	0	70	50	30	0	50	30	20	50	30	20	50	30	20	0
RCR: 0	1.19	1.19	1.19	1.19	1.16	1.16	1.16	1.00	1.11	1.11	1.11	1.06	1.06	1.06	1.02	1.02	1.02	1.00
1	1.11	1.07	1.03	1.00	1.08	1.04	1.01	.88	1.00	.98	.95	.96	.94	.92	.93	.91	.90	.88
2	1.02	.95	.90	.85	1.00	.94	.88	.78	.90	.86	.82	.87	.83	.80	.84	.81	.78	.76
3	.95	.86	.79	.73	.93	.84	.78	.69	.81	.76	.71	.79	.74	.70	.76	.72	.69	.67
4	.88	.78	.70	.64	.86	.76	.69	.61	.74	.68	.63	.72	.66	.62	.70	.65	.61	.59
5	.82	.71	.63	.57	.80	.69	.62	.55	.67	.61	.56	.66	.60	.55	.64	.59	.55	.53
6	.76	.64	.56	.51	.74	.63	.56	.49	.62	.55	.50	.60	.54	.50	.59	.53	.49	.47
7	.71	.59	.51	.46	.70	.58	.51	.44	.57	.50	.45	.55	.49	.45	.54	.49	.45	.43
8	.67	.54	.47	.41	.65	.54	.46	.40	.52	.46	.41	.51	.45	.41	.50	.45	.41	.39
9	.62	.50	.43	.38	.61	.50	.42	.37	.49	.42	.37	.48	.42	.37	.47	.41	.37	.35
10	.59	.47	.39	.34	.58	.46	.39	.34	.45	.39	.34	.44	.38	.34	.43	.38	.34	.32

**Zonal Lumen Summary**

Zone	Lumens	% Lamp	% Luminaire
0-30	7,282.9	38.8%	38.8%
0-40	11,687.3	62.3%	62.3%
0-60	16,801.7	89.6%	89.6%
60-90	1,947.9	10.4%	10.4%
0-90	18,749.6	100%	100%

**Lumens Per Zone**

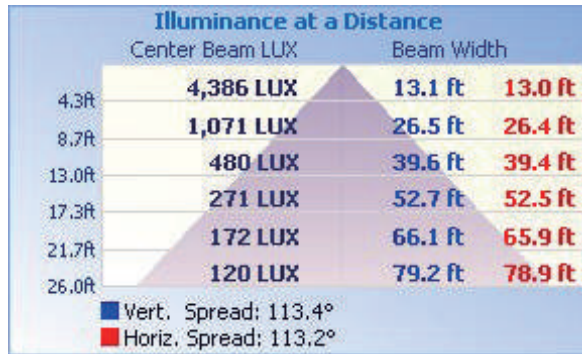
Zone	Lumens	% Total
0-10	892.7	4.8%
10-20	2,548.5	13.6%
20-30	3,841.7	20.5%
30-40	4,404.5	23.5%
40-50	3,347.6	17.9%
50-60	1,766.8	9.4%
60-70	1,002.8	5.3%
70-80	690.6	3.7%
80-90	254.5	1.4%

**PHOTOMETRIC SPEC**


# BLUE OCEAN LIGHTING™

## BOLSLBAY200W 120°

26' Mounting Height


**Coefficients Of Utilization - Zonal Cavity Method**

Effective Floor Cavity Reflectance: 20%

RCC %:	80		70		50		30		10		0							
RW %:	70	50	30	0	70	50	30	0	50	30	20	50	30	20	50	30	20	0
RCR: 0	1.19	1.19	1.19	1.19	1.16	1.16	1.16	1.00	1.11	1.11	1.11	1.06	1.06	1.06	1.02	1.02	1.02	1.00
1	1.10	1.05	1.01	.98	1.07	1.03	.99	.86	.99	.96	.93	.95	.92	.90	.91	.89	.88	.86
2	1.00	.92	.86	.80	.97	.90	.84	.73	.87	.82	.77	.84	.79	.76	.81	.77	.74	.72
3	.91	.81	.73	.67	.89	.80	.72	.62	.77	.70	.65	.74	.69	.64	.71	.67	.63	.61
4	.84	.72	.63	.57	.81	.71	.63	.54	.68	.61	.56	.66	.60	.55	.64	.58	.54	.52
5	.77	.64	.55	.49	.75	.63	.55	.47	.61	.54	.48	.59	.53	.48	.57	.52	.47	.45
6	.71	.58	.49	.43	.69	.57	.49	.41	.55	.48	.42	.53	.47	.42	.52	.46	.41	.39
7	.66	.52	.44	.38	.64	.52	.43	.37	.50	.43	.37	.49	.42	.37	.47	.41	.37	.35
8	.61	.48	.39	.34	.60	.47	.39	.33	.46	.38	.33	.45	.38	.33	.43	.37	.33	.31
9	.57	.44	.36	.30	.56	.43	.35	.30	.42	.35	.30	.41	.34	.30	.40	.34	.30	.28
10	.54	.40	.33	.27	.52	.40	.32	.27	.39	.32	.27	.38	.32	.27	.37	.31	.27	.25

**Zonal Lumen Summary**

Zone	Lumens	% Lamp	% Luminaire
0-30	5,926.9	28.3%	28.3%
0-40	9,785.1	46.7%	46.7%
0-60	17,394.1	82.9%	83%
60-90	3,573.2	17%	17%
70-100	1,121.4	5.3%	5.3%
90-120	0.1	0%	0%
0-90	20,967.4	100%	100%
90-180	0.2	0%	0%
0-180	20,967.6	100%	100%

**Lumens Per Zone**

Zone	Lumens	% Total	Zone	Lumens	% Total
0-10	714.5	3.4%	90-100	0.1	0%
10-20	2,060.1	9.8%	100-110	0.0	0%
20-30	3,152.2	15.0%	110-120	0.0	0%
30-40	3,858.3	18.4%	120-130	0.0	0%
40-50	4,048.6	19.3%	130-140	0.0	0%
50-60	3,560.3	17.0%	140-150	0.0	0%
60-70	2,451.8	11.7%	150-160	0.0	0%
70-80	1,016.3	4.8%	160-170	0.0	0%
80-90	105.1	0.5%	170-180	0.0	0%