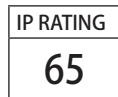
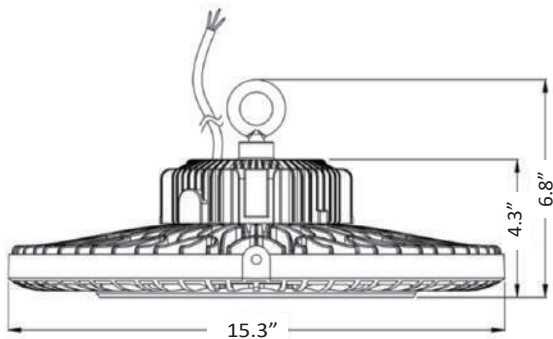


LED DESIGNER HIGH BAY BOLBAY

DESCRIPTION

Providing innovative design, excellent performance and outstanding energy efficiency in large interior spaces such as gyms, churches, shopping malls, showrooms, warehouses and heavy industrial settings, Blue Ocean's BOLBAY LED Slim Designer High Bay series offers a variety of wattage versions and colour temperatures, and is constructed of stylish and fashionable lotus shaped aluminum housing together with a transparent tempered glass (120° beam angle) / micro prismatic PMMA (90°) / optional reflector (60°). With Meanwell's latest HGB series low voltage constant current driver applied, high power factor, safety and stability are guaranteed. High-quality, super bright LED source ensures the high luminous efficiency, great colour consistency and minimum lumens depreciation. Highly efficient thermal control system enables maximum heat dissipation for LED sources to consistently run cooler for stable performance and even prolonged lifespan. Fixture is IP65 rated for damp locations and 1-10V dimmable.

DRAWING



SPECIFICATION CHART

Model	BOLBAY-160W-XX
Voltage	100-277VAC
Wattage	160W
Replacement	360W 400W HID
Lumen Output	20800lm
CRI	>70
PFC	>0.95
CCT	4000K 5000K
Housing	Aluminum
Beam Angle	120° 90° 60°
Installation	Suspended Mount Wall Mount Pole Mount
Operating Temp.	-20~45°C

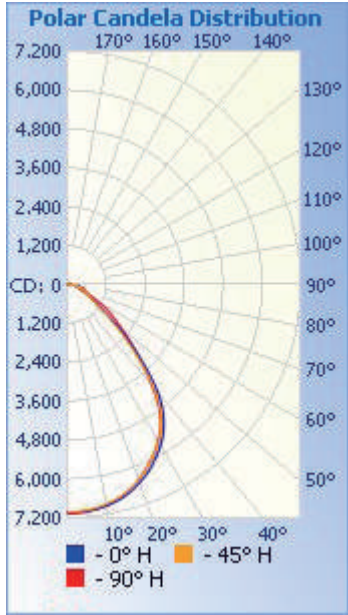
ORDERING INFORMATION

Series No. BOLBAY	Wattage 160W=160W	CCT 40K=4000K 50K=5000K	Type AN	Beam Angle 90D=90 Degree 120D=120 Degree	Dimming DL=1-10V Dimming	Finishing BK=Black WH=White*
-----------------------------	-----------------------------	--------------------------------------	-------------------	---	------------------------------------	---



Accessories

60° Aluminum Reflector: **ACC-HB-REF-60D**
 60° Acrylic Reflector: **ACC-HB-REF-60D-TP**
 90° Prismatic Reflector: **ACC-HB-PRI-90D**
 Wall Mount Bracket: **ACC-HB-WALL-M**
 Suspension Chain: **ACC-HB-CHAIN**
 3/4" NPT to M10 Adapter: **ACC-HB-RDCR-34M10**

PHOTOMETRIC SPEC


BLUE OCEAN LIGHTING™

BOLBAY160W40KAN90DDLBK

26' Mounting Height

	Center Beam LUX	Beam Width	
4.3R	4,108 LUX	8.0 ft	8.1 ft
8.7R	1,004 LUX	16.3 ft	16.5 ft
13.0R	449 LUX	24.3 ft	24.6 ft
17.3R	254 LUX	32.3 ft	32.7 ft
21.7R	161 LUX	40.6 ft	41.1 ft
26.0R	112 LUX	48.6 ft	49.2 ft

■ Vert. Spread: 86.1°
■ Horiz. Spread: 86.9°

Coefficients Of Utilization - Zonal Cavity Method

Effective Floor Cavity Reflectance: 20%

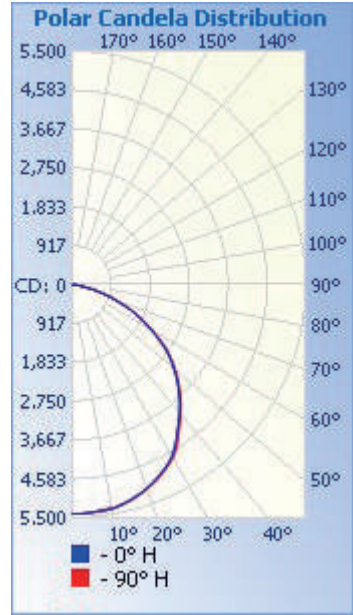
RCC %:	80				70				50			30			10			0
RW %:	70	50	30	0	70	50	30	0	50	30	20	50	30	20	50	30	20	0
RCR: 0	1.12	1.12	1.12	1.12	1.10	1.10	1.10	.94	1.05	1.05	1.05	1.00	1.00	1.00	.96	.96	.96	.94
1	1.04	1.00	.97	.94	1.02	.98	.95	.83	.94	.92	.90	.91	.89	.87	.87	.86	.84	.83
2	.96	.90	.85	.80	.94	.88	.83	.73	.85	.81	.77	.82	.79	.76	.79	.76	.74	.72
3	.89	.81	.74	.69	.87	.79	.73	.65	.77	.72	.67	.74	.70	.66	.72	.68	.65	.63
4	.83	.73	.66	.60	.81	.72	.65	.57	.70	.64	.59	.68	.63	.59	.66	.61	.58	.56
5	.77	.66	.59	.54	.75	.65	.58	.51	.64	.57	.53	.62	.56	.52	.60	.55	.52	.50
6	.72	.61	.53	.48	.70	.60	.53	.46	.58	.52	.47	.57	.51	.47	.55	.50	.46	.45
7	.67	.56	.48	.43	.66	.55	.48	.42	.54	.47	.43	.52	.47	.42	.51	.46	.42	.40
8	.63	.51	.44	.39	.61	.51	.44	.38	.49	.43	.39	.48	.43	.38	.47	.42	.38	.37
9	.59	.47	.40	.36	.58	.47	.40	.35	.46	.40	.35	.45	.39	.35	.44	.39	.35	.33
10	.55	.44	.37	.33	.54	.44	.37	.32	.43	.37	.32	.42	.36	.32	.41	.36	.32	.31

Zonal Lumen Summary

Zone	Lumens	% Lamp	% Luminaire
0-30	5,388.3	36.8%	39.1%
0-40	8,564.6	58.5%	62.1%
0-60	12,324.1	84.2%	89.3%
60-90	1,471.6	10.1%	10.7%
0-90	13,795.7	94.3%	100%

Lumens Per Zone

Zone	Lumens	% Total
0-10	668.0	4.8%
10-20	1,903.5	13.8%
20-30	2,816.7	20.4%
30-40	3,176.4	23.0%
40-50	2,427.1	17.6%
50-60	1,332.4	9.7%
60-70	771.8	5.6%
70-80	514.6	3.7%
80-90	185.2	1.3%

PHOTOMETRIC SPEC


BLUE OCEAN LIGHTING™

BOLBAY160W40KAN120DDLBK

26' Mounting Height

	Center Beam LUX	Beam Width	
4.3ft	3,160 LUX	12.5 ft	12.4 ft
8.7ft	772 LUX	25.2 ft	25.2 ft
13.0ft	346 LUX	37.6 ft	37.6 ft
17.3ft	195 LUX	50.1 ft	50.0 ft
21.7ft	124 LUX	62.8 ft	62.8 ft
26.0ft	86.4 LUX	75.3 ft	75.2 ft

■ Vert. Spread: 110.7°
■ Horiz. Spread: 110.7°

Coefficients Of Utilization - Zonal Cavity Method

Effective Floor Cavity Reflectance: 20%

RCC %:	80				70				50			30			10			0
RW %:	70	50	30	0	70	50	30	0	50	30	20	50	30	20	50	30	20	0
RCR: 0	1.19	1.19	1.19	1.19	1.16	1.16	1.16	1.00	1.11	1.11	1.11	1.06	1.06	1.06	1.02	1.02	1.02	1.00
1	1.10	1.05	1.01	.98	1.07	1.03	.99	.86	.99	.96	.93	.95	.92	.90	.91	.89	.87	.85
2	1.00	.92	.86	.80	.97	.90	.84	.73	.87	.82	.77	.84	.79	.76	.81	.77	.74	.72
3	.91	.81	.73	.67	.89	.80	.72	.63	.77	.70	.65	.74	.69	.64	.71	.67	.63	.61
4	.84	.72	.64	.57	.81	.71	.63	.54	.68	.61	.56	.66	.60	.55	.64	.59	.54	.52
5	.77	.64	.56	.49	.75	.63	.55	.47	.61	.54	.48	.59	.53	.48	.57	.52	.47	.45
6	.71	.58	.49	.43	.69	.57	.49	.42	.55	.48	.42	.54	.47	.42	.52	.46	.42	.40
7	.66	.53	.44	.38	.64	.52	.44	.37	.50	.43	.38	.49	.42	.37	.48	.42	.37	.35
8	.61	.48	.40	.34	.60	.47	.39	.33	.46	.39	.34	.45	.38	.33	.44	.38	.33	.31
9	.57	.44	.36	.31	.56	.44	.36	.30	.42	.35	.30	.41	.35	.30	.40	.34	.30	.28
10	.54	.41	.33	.28	.53	.40	.33	.27	.39	.32	.28	.38	.32	.27	.37	.32	.27	.26

Zonal Lumen Summary

Zone	Lumens	% Lamp	% Luminaire
0-30	4,287.4	29%	29%
0-40	7,010.3	47.5%	47.5%
0-60	12,220.4	82.8%	82.8%
60-90	2,540.3	17.2%	17.2%
0-90	14,760.7	100%	100%

Lumens Per Zone

Zone	Lumens	% Total
0-10	515.1	3.5%
10-20	1,489.5	10.1%
20-30	2,282.8	15.5%
30-40	2,722.8	18.4%
40-50	2,768.1	18.8%
50-60	2,442.0	16.5%
60-70	1,677.9	11.4%
70-80	734.8	5.0%
80-90	127.6	0.9%