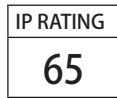
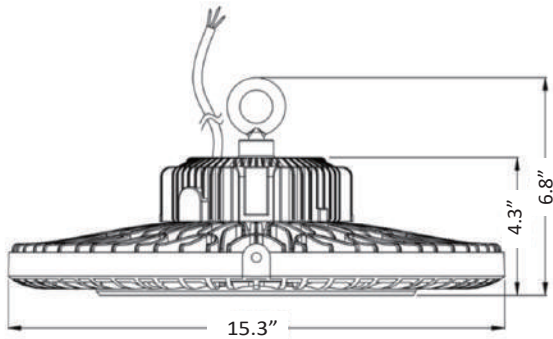


LED DESIGNER HIGH BAY BOLBAY

DESCRIPTION

Providing innovative design, excellent performance and outstanding energy efficiency in large interior spaces such as gyms, churches, shopping malls, showrooms, warehouses and heavy industrial settings, Blue Ocean's BOLBAY LED Slim Designer High Bay series offers a variety of wattage versions and colour temperatures, and is constructed of stylish and fashionable lotus shaped aluminum housing together with a transparent tempered glass (120° beam angle) / micro prismatic PMMA (90°) / optional reflector (60°). With Meanwell's latest HGB series low voltage constant current driver applied, high power factor, safety and stability are guaranteed. High-quality, super bright LED source ensures the high luminous efficiency, great colour consistency and minimum lumens depreciation. Highly efficient thermal control system enables maximum heat dissipation for LED sources to consistently run cooler for stable performance and even prolonged lifespan. Fixture is IP65 rated for damp locations and 1-10V dimmable.

DRAWING



SPECIFICATION CHART

Model	BOLBAY-100W-XX
Voltage	100-277VAC
Wattage	100W
Replacement	250W HID
Lumen Output	13000lm
CRI	>70
PFC	>0.95
CCT	4000K 5000K
Housing	Aluminum
Beam Angle	120° 90° 60°
Installation	Suspended Mount Wall Mount Pole Mount
Operating Temp.	-20~45°C

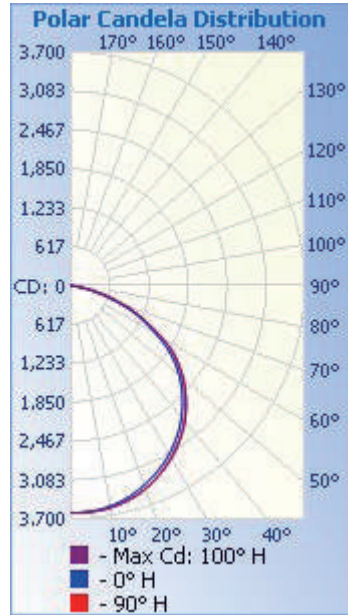
ORDERING INFORMATION

Series No. BOLBAY	Wattage 100W=100W	CCT 40K=4000K 50K=5000K	Type AN	Beam Angle 90D=90 Degree 120D=120 Degree	Dimming DL=1-10V Dimming	Finishing BK=Black WH=White*
-----------------------------	-----------------------------	--------------------------------------	-------------------	---	------------------------------------	---



Accessories

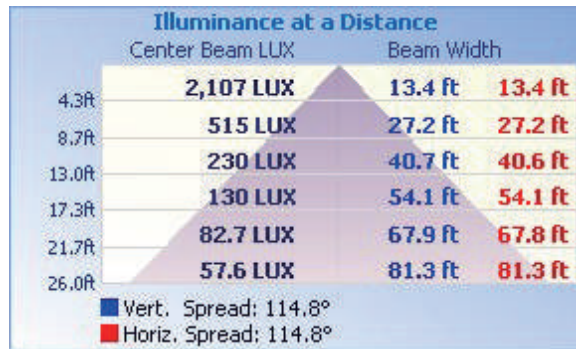
- 60° Aluminum Reflector: **ACC-HB-REF-60D**
- 60° Acrylic Reflector: **ACC-HB-REF-60D-TP**
- 90° Prismatic Reflector: **ACC-HB-PRI-90D**
- Wall Mount Bracket: **ACC-HB-WALL-M**
- Suspension Chain: **ACC-HB-CHAIN**
- 3/4" NPT to M10 Adapter: **ACC-HB-RDCR-34M10**

PHOTOMETRIC SPEC


BLUE OCEAN LIGHTING™

BOLBAY100W40KAN120DDL BK

26' Mounting Height


Coefficients Of Utilization - Zonal Cavity Method

Effective Floor Cavity Reflectance: 20%

RCC %:	80				70				50			30			10			0
RW %:	70	50	30	0	70	50	30	0	50	30	20	50	30	20	50	30	20	0
RCR: 0	1.19	1.19	1.19	1.19	1.16	1.16	1.16	1.00	1.11	1.11	1.11	1.06	1.06	1.06	1.02	1.02	1.02	1.00
1	1.10	1.05	1.01	.98	1.07	1.03	.99	.86	.99	.96	.93	.95	.92	.90	.91	.89	.88	.86
2	1.00	.92	.86	.80	.97	.90	.84	.73	.87	.82	.77	.83	.79	.76	.80	.77	.74	.72
3	.91	.81	.73	.67	.89	.79	.72	.62	.77	.70	.65	.74	.68	.64	.71	.67	.63	.61
4	.84	.72	.63	.57	.81	.70	.62	.54	.68	.61	.56	.66	.60	.55	.64	.58	.54	.52
5	.77	.64	.55	.49	.75	.63	.55	.47	.61	.54	.48	.59	.52	.47	.57	.51	.47	.45
6	.71	.58	.49	.43	.69	.57	.48	.41	.55	.48	.42	.53	.47	.42	.52	.46	.41	.39
7	.66	.52	.44	.37	.64	.51	.43	.36	.50	.42	.37	.48	.42	.37	.47	.41	.37	.35
8	.61	.48	.39	.33	.60	.47	.39	.33	.46	.38	.33	.44	.38	.33	.43	.37	.33	.31
9	.57	.44	.36	.30	.56	.43	.35	.29	.42	.35	.30	.41	.34	.30	.40	.34	.29	.28
10	.53	.40	.32	.27	.52	.40	.32	.27	.39	.32	.27	.38	.31	.27	.37	.31	.27	.25

Zonal Lumen Summary

Zone	Lumens	% Lamp	% Luminaire
0-30	2,839.6	28.1%	28.1%
0-40	4,682.1	46.3%	46.3%
0-60	8,372.4	82.8%	82.8%
60-90	1,743.7	17.2%	17.2%
70-100	537.8	5.3%	5.3%
90-120	0.0	0%	0%
0-90	10,116.1	100%	100%
90-180	0.1	0%	0%
0-180	10,116.2	100%	100%

Lumens Per Zone

Zone	Lumens	% Total	Zone	Lumens	% Total
0-10	343.2	3.4%	90-100	0.0	0%
10-20	988.7	9.8%	100-110	0.0	0%
20-30	1,507.8	14.9%	110-120	0.0	0%
30-40	1,842.5	18.2%	120-130	0.0	0%
40-50	1,940.4	19.2%	130-140	0.0	0%
50-60	1,749.9	17.3%	140-150	0.0	0%
60-70	1,206.0	11.9%	150-160	0.0	0%
70-80	493.7	4.9%	160-170	0.0	0%
80-90	44.0	0.4%	170-180	0.0	0%