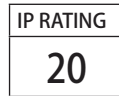


LED CABINET LIGHT

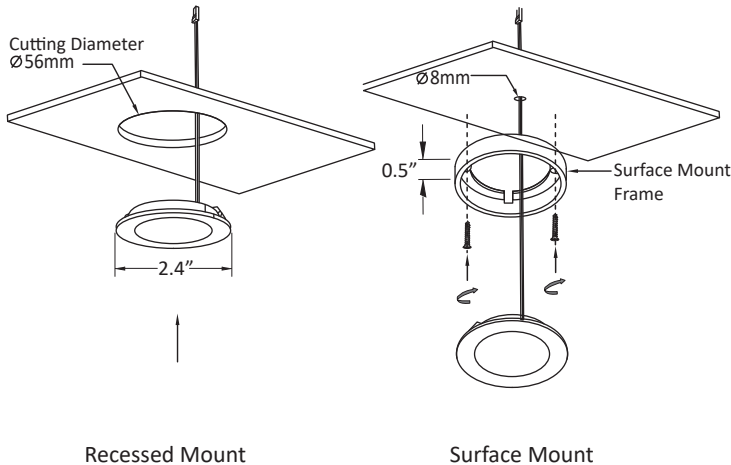
BOL20881B-SG

DESCRIPTION

Offering excellent lighting for under-cabinet areas, coves, garage spaces, concealed areas and anywhere where little extra illumination is needed, Blue Ocean's BOL20881B-SG LED Under Cabinet Puck Light series is a great choice for you to flourish your inner design in terms of energy efficiency, light quality and low heat generation. This round shape puck light series is constructed of aluminum housing with silver grey finish and features easy surface mount installation coming with 1.5M 24# AWG outlet cable and 91505-MP plug. Utilizing one piece high-end CREE Brand COB LED chip and translucent frosted diffuser to ensure its high efficacy and color consistency, the puck light consumes only 3W power and delivers exceedingly comfortable light with no flicker or delay. Color temperature is available in 3000K warm white and 6000K cool white. Great thermal control technology is applied with little heat generation, protecting the cabinet from warping.



DRAWING



SPECIFICATION CHART

Model	BOL20881B-SG-3W
Voltage	12VDC
Wattage	3W
Replacement	25W Halogen
Lumen Output	270lm
CCT	3000K 6000K
LED Chip	1 pc COB LED Chip
Finish Color	Silver Grey
Housing Material	Aluminum
Size	φ2.4" X H0.5"
Accessories	1.5M 24# AWG outlet cable, 91505-MP plug
Operating Temp.	-20~40°C

ORDERING INFORMATION

Series No. BOL20881B-SG	Wattage 3W=3W	Voltage 12=12VDC	CCT 30=3000K 60=6000K
-----------------------------------	-------------------------	----------------------------	---

ACCESSORIES

CONNECTORS & EXTENSION CORDS

Part Name	Part Number	Features
Splitter	91503-WHT	3-way splitter white, 1 female connector
	91504-WHT	4-way splitter white, 1 female connector
	91510-WHT	10-way splitter white, 1 female connector
Extention Cord	91205-1000	Extention Cord 1m
	91205-3000	Extention Cord 3m



Part Name	Part Number	Features
Plug-in Power Supply	SD-ADDC-12-24	Plug-in Power Supply Table 24W 12V 2A
	SD-ADDC-12-30	Plug-in Power Supply Table 30W 12V 2.5A
	SD-ACDC-12-48	Plug-in Power Supply Table 48W 12V 4A



HARDWIRE POWER SUPPLIES

Part Name	Part Number	Features
Hardwire Mean Well Power Supply	APV-16-12	Meanwell Driver APV 16W 12V IP67 1.25A
	APV-25-12	Meanwell Driver APV 25W 12V IP67 2.1A
	LPV-20-12	Meanwell Driver LPV 20W 12V IP67 1.67A
	LPV-35-12	Meanwell Driver LPV 35W 12V IP67 3A
Dimmable Magnitude Power Supply	E40L12DC-KO	Magnitude Dimmable Driver 40W 12V 3.5A

