

LED PARKING LOT LIGHT BOL75WIT

DESCRIPTION

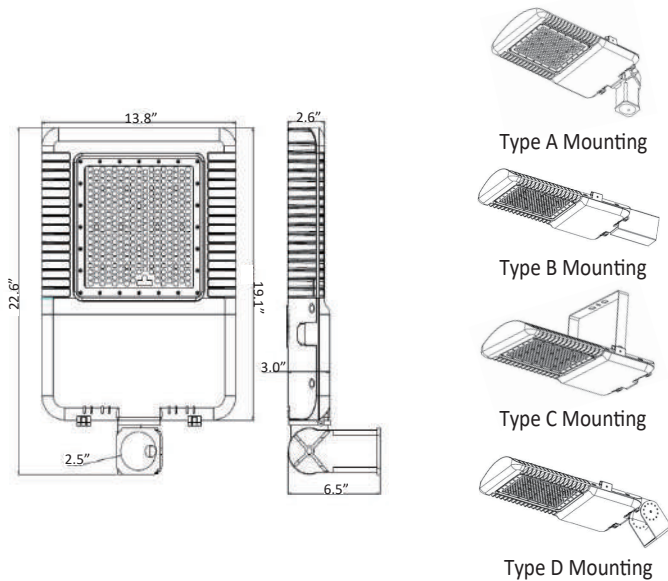
Providing superb lighting effect for outdoor parking lot lighting and area lighting, Blue Ocean's BOL75WIT LED Parking Lot Light series features modern slim design and latest LED technology for super energy efficiency and cost effectiveness. Specially designed for parking lot lighting, it is well recognized as the standard option which distributes evenly covered light onto the ground with perfectly suitable 75°x130° beam angle. Advanced anodized aluminum housing is covered with powder coated finish to resist rust and corrosion. Compatible with multiple brackets, it is flexible in design with bronze and white finishing colour available. Advanced LED technology is applied to reduce operational temperatures and increase energy efficiency and superior LED source is utilized to provide uniform colour consistency and minimized luminous depreciation. Highly efficient thermal control system enables maximum heat dissipation for LED sources to consistently run cooler for stable performance and long lifespan.



IP RATING	IK RATING	7 YEAR WARRANTY
66	10	



DRAWING



SPECIFICATION CHART

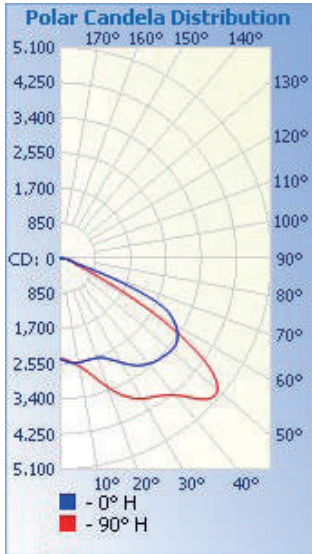
Model	BOL75WIT-XX
Voltage	100-277VAC 277-480VAC
Wattage	75W
Replacement	250W HPS/MH
Lumen Output	9750lm
CRI	78
PFC	0.95
CCT	4000K 5000K
Light Distribution	75X130° (Type IV)
Dimension	25.1"X13.8"X3.0"
Weight	19.4lbs
Operating Temperature	-40~50°C

ORDERING INFORMATION

Series No. BOL75WIT	CCT 40=4000K 50=5000K	Voltage U=Universal 100-277VAC H=277-480VAC	Dimming Blank=Non-Dimmable D=0-10V Dimmable	Control Blank=No Control PC=Photocell	Finish BZ=Bronze WT=White*	Mounting A=Type A B=Type B C=Type C D=Type D
-------------------------------	------------------------------------	--	--	--	---	---

PHOTOMETRIC SPEC

BLUE OCEAN LIGHTING™
BOL75WIT
 15' Mounting Height



Illuminance at a Distance

	Center Beam LUX	Beam Width
2.5ft	4,183 LUX	3.0 ft 2.6 ft
5.0ft	1,046 LUX	6.1 ft 5.3 ft
7.5ft	465 LUX	9.1 ft 7.9 ft
10.0ft	261 LUX	12.1 ft 10.5 ft
12.5ft	167 LUX	15.1 ft 13.2 ft
15.0ft	116 LUX	18.2 ft 15.8 ft

■ Vert. Spread: 62.4°
 ■ Horiz. Spread: 55.5°

