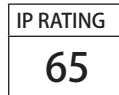


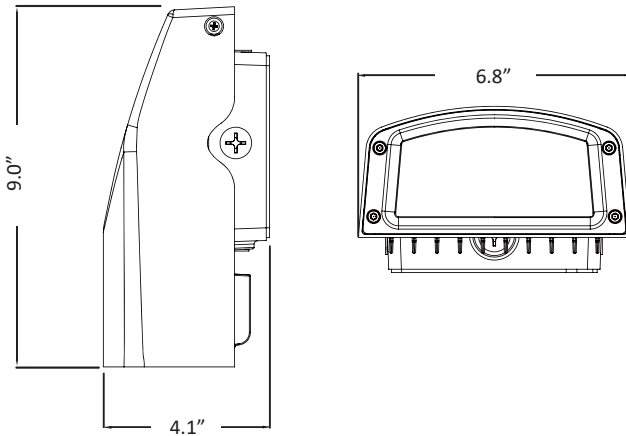
# LED CUT-OFF WALL PACK 347V BOLWPI

## DESCRIPTION

Designed to deliver high performance and energy efficient illumination, Blue Ocean's BOLWPI Wall Pack series replaces traditional HID Wall Pack fixtures. Die cast aluminum housing with powder coated finish, hinged removable door and sealed gasketed optical compartment protect the fixture from rust, corrosion, contaminants and insects, together with an IP65 rating for damp locations. This fixture delivers excellent thermal performance, high efficacy and colour consistency, and a tempered glass and highly reflective anodized reflector, providing optimized illumination with no shelter angle and no glare. Professional heatsink ensures excellent thermal management inside the fixture for prolonged life. Suggested applications: building entrances, stairways, schools, hospitals, commercial buildings, or anywhere security lighting is needed.



## DRAWING



## SPECIFICATION CHART

Model No.	BOLWPI-XX
Voltage	347VAC
Wattage	40W
Replacement	120W HPS/MH
Lumen Output	4000lm
CRI	>70
PFC	0.95
CCT	4000K   5000K
Distribution	Type III
Finish	Dark Bronze
Max Adjustable Angel	20 degree
Dimension	V9.0"X6.8"X4.1"
Operating Temperature	-40~40°C

## ORDERING INFORMATION

<b>Series No.</b> BOLWPI	<b>Wattage</b> 40W=40W	<b>Voltage</b> 34V=347VAC	<b>CCT</b> 40K=4000K 50K=5000K	<b>Finish</b> D=Dark Bronze	<b>Distribution</b> T3=Type III
-----------------------------	---------------------------	------------------------------	--------------------------------------	--------------------------------	------------------------------------