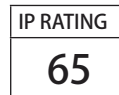


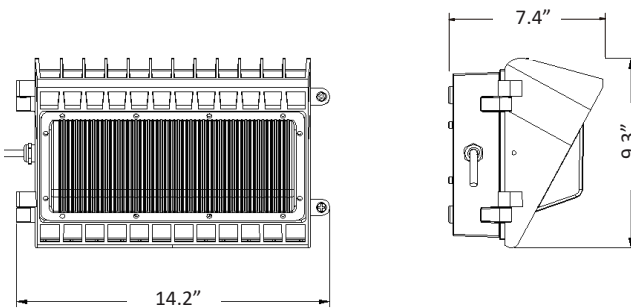
LED WALL PACK FIXTURE BOLWP

DESCRIPTION

Designed to deliver high performance and energy efficient illumination, Blue Ocean's BOLWP Wall Pack series HV model replaces traditional 347V Halogen or HID wall pack lighting fixtures. Die cast aluminum housing with powder coated finish and sealed gasketed optical compartment protect the fixture from rust, corrosion, contaminants and insects. This fixture utilizes LM-80 certified high performance and reliable lumileds LED chips, ensuring high efficacy, colour consistency and excellent thermal performance, and a tailored constant-current UL class 2 LED power supply. A polycarbonate optical lens and highly reflective anodized reflector, providing optimized illumination with no shelter angle and no glare. Professional heatsink ensures excellent thermal management inside the fixture for prolonged life. Fixture is IP65 rating for damp and wet locations. Suggested applications: building entrances, stairways, schools, hospitals, commercial buildings, or anywhere security lighting is needed.



DRAWING



SPECIFICATION CHART

Model	BOLWP-XX-34V
Voltage	347VAC
Wattage	40W 75W
Replacement	100W 175W HPS/MH
Lumen Output	4700lm 6800lm
CRI	>70
PFC	>0.90
CCT	4000K 5000K
Working Temp.	-40°C to 40°C
Finish	Dark Bronze
Lens	Polycarbonate Optical Lens
Dimension	14.2" X 9.3" X 7.4"

ORDERING INFORMATION

Series No. BOLWP	Wattage 40W=40W 75W=75W	Voltage 34V=347VAC	CCT 40K=4000K 50K=5000K	Finish D=Dark Bronze
----------------------------	--------------------------------------	------------------------------	--------------------------------------	--------------------------------