

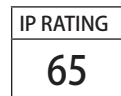
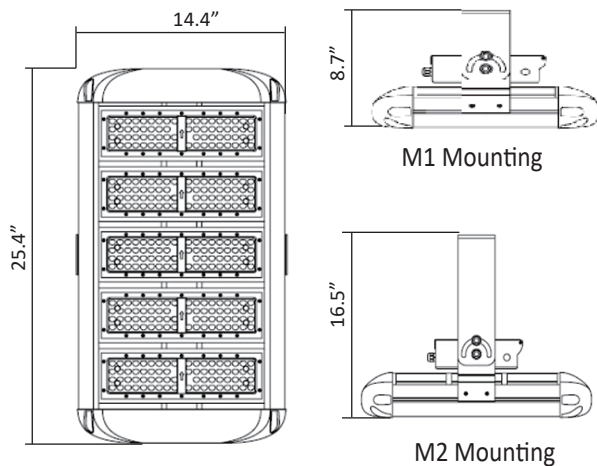
LED MODULAR FLOOD LIGHT BOLMFL

DESCRIPTION

As an energy-efficient and high-performance architectural flood and spot luminaire, Blue Ocean's BOLMFL Flood Light Series is designed to replace traditional Metal Halide or HPS flood lights in parks and building facades etc., with different brackets for installation to help get the best viewing angle. Constructed of die-cast aluminum housing, fixture is IP65 rated, rust and corrosion proof, and sealed to be free from contaminants, bugs and rain. It utilizes high-efficacy PHILIPS LUMILEDS LED modules and high performance MEAN WELL driver to ensure stable performance, great brightness uniformity, energy efficiency, and colour consistency. Featuring two mounting types: standard trunnion mount and long-arm trunnion mount, Fixture is easy to install and operate, with instant start, no flickering, no humming and long lifespan. Professional heatsink maximizes the heat transformation inside the fixture to protect the LED source to even prolong the life of LED chips.



DRAWING



SPECIFICATION CHART

Model	BOLMFL300WL1M[1,2]XX
Voltage	100-277VAC
Wattage	300W
Replacement	750W HPS/MH
Lumen Output	39000-40000lm
CRI	>70
PFC	>0.9
CCT	4000K 5000K 5700K
Beam Angle	Type II
Dimension	25.4"X14.4"X8.7" 25.4"X14.4"X16.5"
Weight	27.6lbs
Operating Temperature	-40~45°C

ORDERING INFORMATION

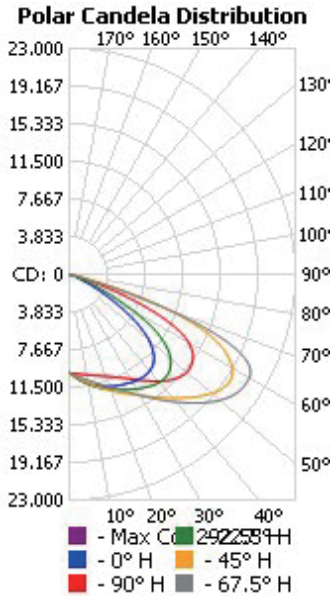
Series No. BOLMFL	Wattage 300W=300W	Lens Type L1=75*150° Type II	Mounting M1=Standard Mount-Trunnion M2=Long-arm Mount-Trunnion	Voltage Blank=Universal 100-277VAC	CCT 40=4000K 50=5000K 57=5700K
-----------------------------	-----------------------------	--	---	---	--

PHOTOMETRIC SPEC

BLUE OCEAN LIGHTING™

BOLMFL300WL1M140

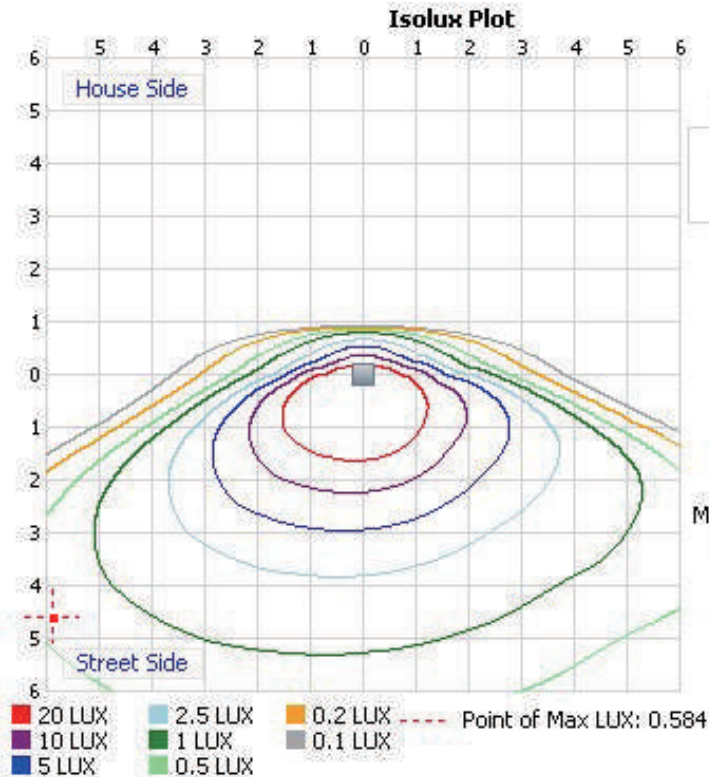
25' Mounting Height



Illuminance at a Distance

Distance	Center Beam LUX	Beam Width
4.3ft	5,820 LUX	5.3 ft
8.7ft	1,422 LUX	10.7 ft
13.0ft	637 LUX	16.0 ft
17.3ft	360 LUX	21.3 ft
21.7ft	229 LUX	26.8 ft
26.0ft	159 LUX	32.1 ft

Vert. Spread: 63.3°
 Horiz. Spread: 128.3°



Tilt Angle: 45°

Mount Height: 25ft
 Grid Width: 150ft
 Total LLF: 0.69

