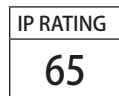


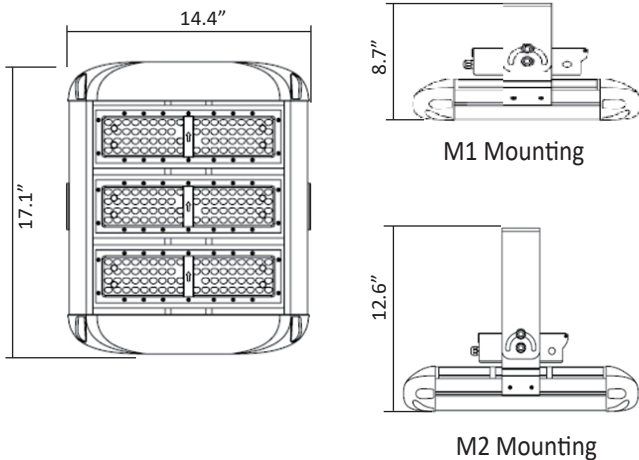
LED MODULAR FLOOD LIGHT BOLMFL

DESCRIPTION

As an energy-efficient and high-performance architectural flood and spot luminaire, Blue Ocean's BOLMFL Flood Light Series is designed to replace traditional Metal Halide or HPS flood lights in parks and building facades etc., with different brackets for installation to help get the best viewing angle. Constructed of die-cast aluminum housing, fixture is IP65 rated, rust and corrosion proof, and sealed to be free from contaminants, bugs and rain. It utilizes high-efficacy PHILIPS LUMILEDS LED modules and high performance MEAN WELL driver to ensure stable performance, great brightness uniformity, energy efficiency, and colour consistency. Featuring two mounting types: standard trunnion mount and long-arm trunnion mount, Fixture is easy to install and operate, with instant start, no flickering, no humming and long lifespan. Professional heatsink maximizes the heat transformation inside the fixture to protect the LED source to even prolong the life of LED chips.



DRAWING



SPECIFICATION CHART

Model	BOLMFL150WL1M[1,2]HVXX
Voltage	200-480VAC
Wattage	150W
Replacement	400W HPS/MH
Lumen Output	20000-21000lm
CRI	>70
PFC	>0.9
CCT	4000K 5000K 5700K
Beam Angle	Type II
Dimension	17.1"X14.4"X8.7" 17.1"X14.4"X12.6"
Weight	19.2lbs
Operating Temperature	-40~45°C

ORDERING INFORMATION

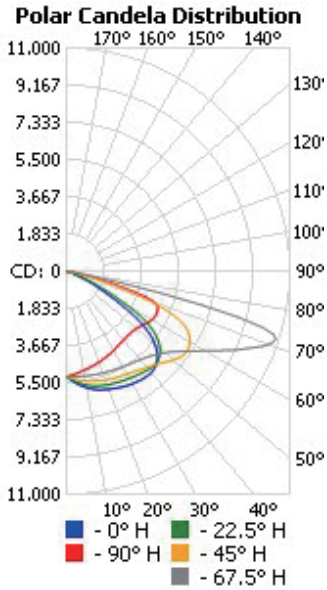
Series No. BOLMFL	Wattage 150W=150W	Lens Type L1=75*150° Type II	Mounting M1=Standard Mount-Trunnion M2=Long-arm Mount-Trunnion	Voltage HV= 200-480VAC	CCT 40=4000K 50=5000K 57=5700K
-----------------------------	-----------------------------	--	---	----------------------------------	--

PHOTOMETRIC SPEC

BLUE OCEAN LIGHTING™

BOLMFL150WL1M140

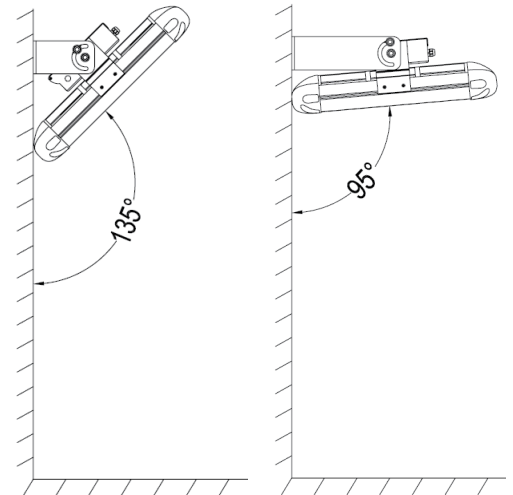
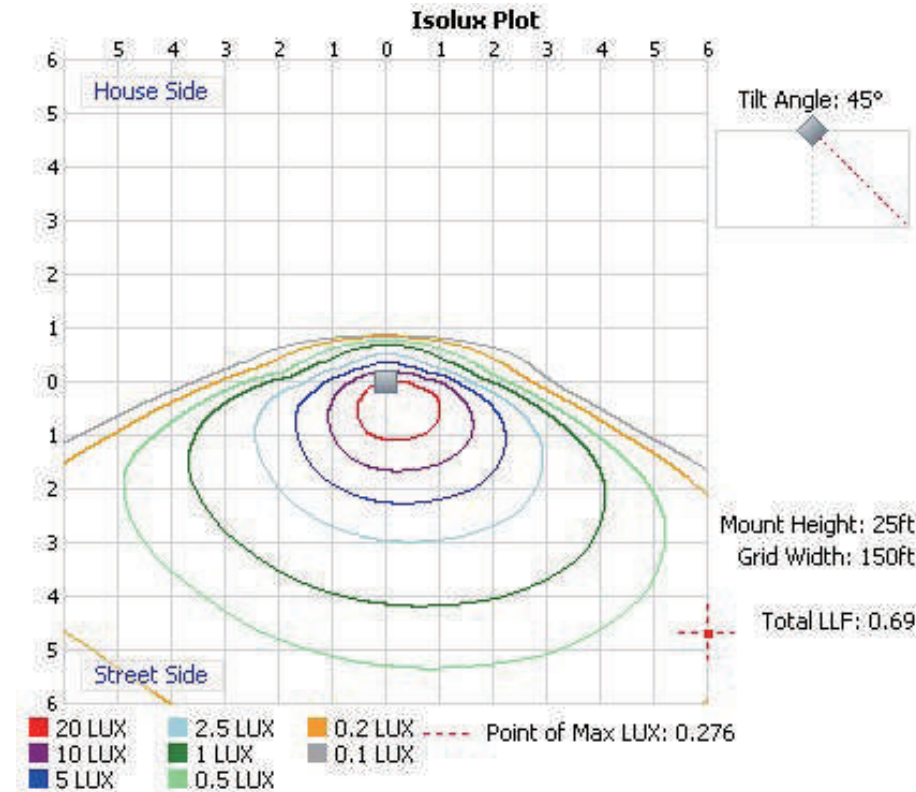
25' Mounting Height



Illuminance at a Distance

Distance	Center Beam LUX	Beam Width
4.3ft	3,028 LUX	7.7 ft 22.6 ft
8.7ft	740 LUX	15.5 ft 45.8 ft
13.0ft	331 LUX	23.2 ft 68.5 ft
17.3ft	187 LUX	30.8 ft 91.1 ft
21.7ft	119 LUX	38.7 ft 114.3 ft
26.0ft	82.8 LUX	46.3 ft 136.9 ft

■ Vert. Spread: 83.4°
 ■ Horiz. Spread: 138.4°

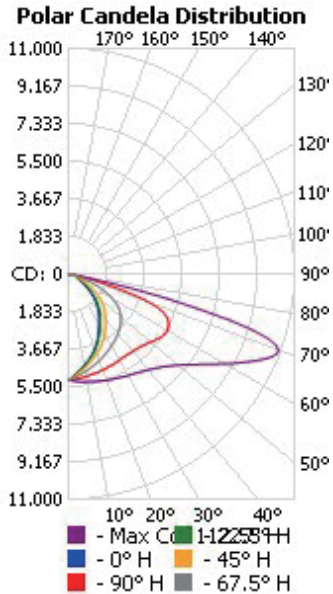


PHOTOMETRIC SPEC

BLUE OCEAN LIGHTING™

BOLMFL150WL1M1HV40

25' Mounting Height



Illuminance at a Distance

Distance	Center Beam LUX	Beam Width
4.3ft	3,017 LUX	5.1 ft 19.4 ft
8.7ft	737 LUX	10.3 ft 39.3 ft
13.0ft	330 LUX	15.4 ft 58.7 ft
17.3ft	186 LUX	20.5 ft 78.2 ft
21.7ft	118 LUX	25.8 ft 98.0 ft
26.0ft	82.5 LUX	30.9 ft 117.5 ft

Vert. Spread: 61.4°
 Horiz. Spread: 132.2°

