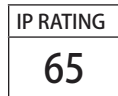


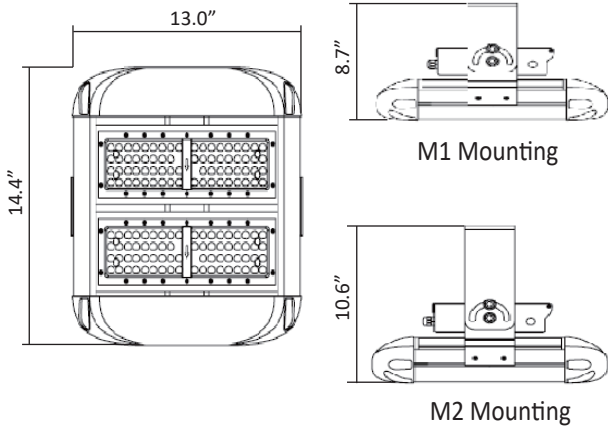
LED MODULAR FLOOD LIGHT BOLMFL

DESCRIPTION

As an energy-efficient and high-performance architectural flood and spot luminaire, Blue Ocean's BOLMFL Flood Light Series is designed to replace traditional Metal Halide or HPS flood lights in parks and building facades etc., with different brackets for installation to help get the best viewing angle. Constructed of die-cast aluminum housing, fixture is IP65 rated, rust and corrosion proof, and sealed to be free from contaminants, bugs and rain. It utilizes high-efficacy PHILIPS LUMILEDS LED modules and high performance MEAN WELL driver to ensure stable performance, great brightness uniformity, energy efficiency, and colour consistency. Featuring two mounting types: standard trunnion mount and long-arm trunnion mount, Fixture is easy to install and operate, with instant start, no flickering, no humming and long lifespan. Professional heatsink maximizes the heat transformation inside the fixture to protect the LED source to even prolong the life of LED chips.



DRAWING



SPECIFICATION CHART

Model	BOLMFL120WL1M[1,2]XX
Voltage	100-277VAC
Wattage	120W
Replacement	320 360W HPS/MH
Lumen Output	15000-16000lm
CRI	>70
PFC	>0.9
CCT	4000K 5000K 5700K
Beam Angle	Type II
Dimension	14.4"X13.0"X8.7" 14.4"X13.0"X10.6"
Weight	16.1lbs 16.5lbs
Operating Temperature	-40~45°C

ORDERING INFORMATION

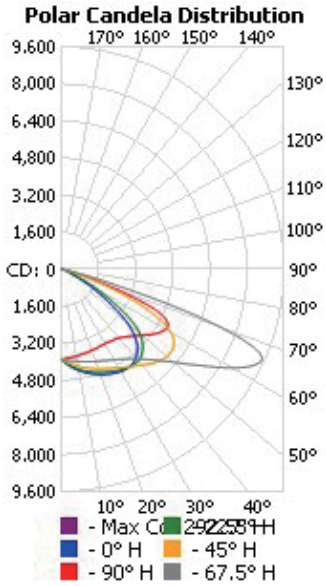
Series No. BOLMFL	Wattage 120W=120W	Lens Type L1=75*150° Type II	Mounting M1=Standard Mount-Trunnion M2=Long-arm Mount-Trunnion	Voltage Blank=Universal 100-277VAC	CCT 40=4000K 50=5000K 57=5700K
-----------------------------	-----------------------------	--	---	---	--

PHOTOMETRIC SPEC

BLUE OCEAN LIGHTING™

BOLMFL120WL1M140

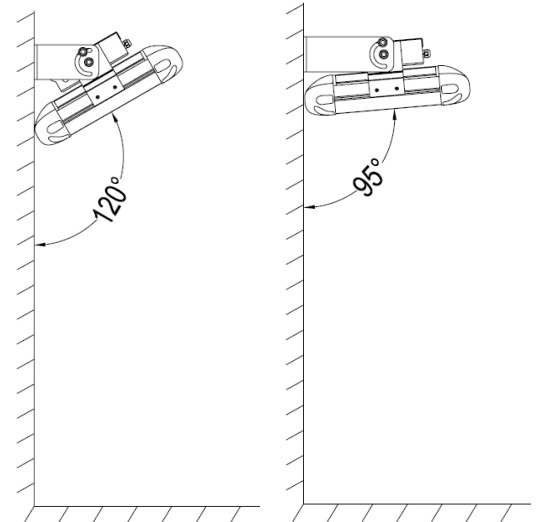
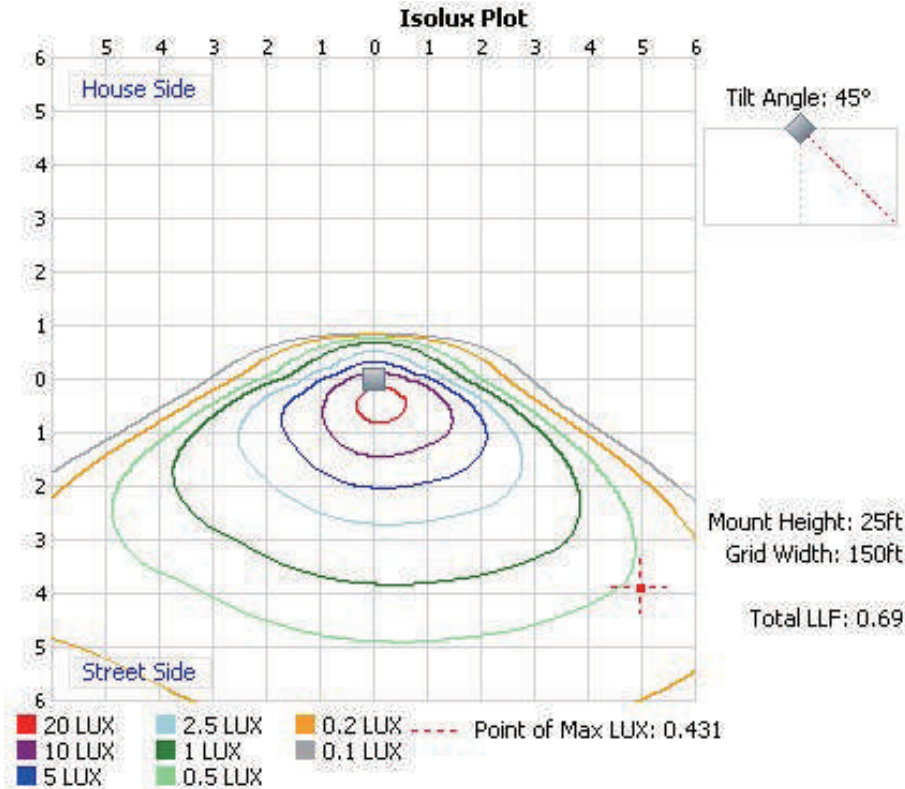
25' Mounting Height



Illuminance at a Distance

Distance	Center Beam LUX	Beam Width
4.3ft	2,276 LUX	6.1 ft 18.4 ft
8.7ft	556 LUX	12.3 ft 37.1 ft
13.0ft	249 LUX	18.4 ft 55.5 ft
17.3ft	141 LUX	24.5 ft 73.9 ft
21.7ft	89.4 LUX	30.8 ft 92.6 ft
26.0ft	62.2 LUX	36.9 ft 111.0 ft

Vert. Spread: 70.7°
 Horiz. Spread: 129.8°

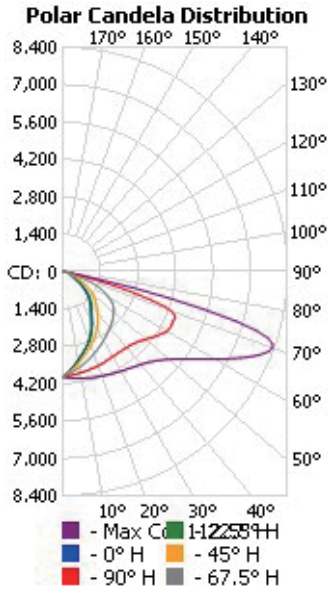


PHOTOMETRIC SPEC

BLUE OCEAN LIGHTING™

BOLMFL120WL1M1HV40

25' Mounting Height



Illuminance at a Distance

Distance	Center Beam LUX	Beam Width
4.3ft	2,305 LUX	5.5 ft 19.0 ft
8.7ft	563 LUX	11.2 ft 38.5 ft
13.0ft	252 LUX	16.7 ft 57.5 ft
17.3ft	142 LUX	22.2 ft 76.5 ft
21.7ft	90.5 LUX	27.9 ft 95.9 ft
26.0ft	63.0 LUX	33.4 ft 114.9 ft

Vert. Spread: 65.4°
 Horiz. Spread: 131.3°

