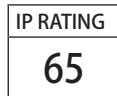


LED HIGH BAY BOLHBA

DESCRIPTION

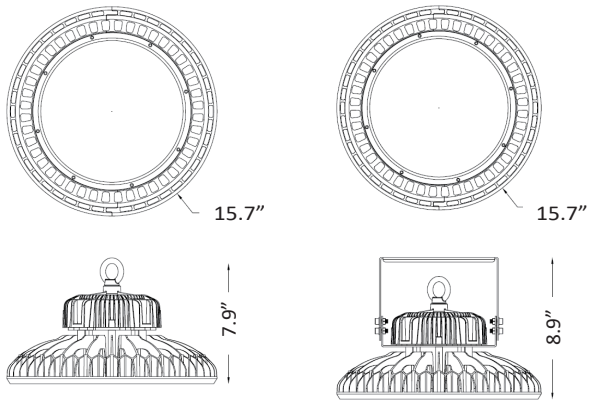
Providing contemporary design, excellent performance and outstanding energy efficiency in large interior spaces such as gyms, churches, shopping malls, showrooms, warehouses and heavy industrial settings, Blue Ocean's BOLHBA series LED High Bay offers a variety of wattage versions and colour temperatures, and is constructed of stylish and fashionable sporty shaped aluminum housing together with a transparent tempered glass (120° beam angle), providing evenly distributed general lighting solutions. With Meanwell's latest HGB series driver applied, high power factor, safety and stability are guaranteed. High-quality, super bright LED source ensures the high luminous efficiency drives up to 130LM/W. Highly efficient thermal control system enables maximum heat dissipation for LED sources to consistently run cooler for stable performance and even prolonged lifespan. Fixture is IP65 rated for damp locations and 1-10V dimmable.



SPECIFICATION CHART

Model	BOLHBA240WL1XXD
Voltage	100-277VAC 50/60Hz
Wattage	240W
Replacement	750W HPS/MH
Lumen Output	30000-31500lm
CRI	>80
PFC	>0.9
CCT	4000K 5000K 5700K
Housing	Aluminum
Beam Angle	120°
Installation	Suspended Mount Wall Mount
Operating Temp.	-40~40°C

DRAWING

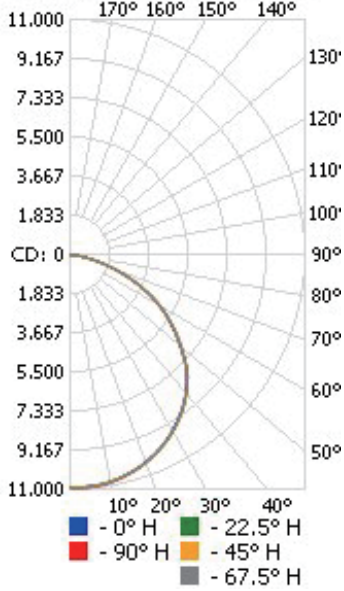


ORDERING INFORMATION

Series No. BOLHBA	Wattage 240W=240W	Lens Type L1=L1 type 120°	CCT 40=4000K 50=5000K 57=5700K	Dimming D=1-10V Dimming	Mounting Blank=Pendant WM=Wall Mount Bracket
-----------------------------	-----------------------------	-------------------------------------	------------------------------------------------	-----------------------------------	-----------------------------------------------------------

PHOTOMETRIC SPEC

Polar Candela Distribution



BLUE OCEAN LIGHTING™

BOLHBA240WL140D

30' Mounting Height

Illuminance at a Distance

	Center Beam LUX	Beam Width	
5.0ft	4,700 LUX	15.0 ft	15.2 ft
10.0ft	1,175 LUX	29.9 ft	30.3 ft
15.0ft	522 LUX	44.9 ft	45.5 ft
20.0ft	294 LUX	59.9 ft	60.6 ft
25.0ft	188 LUX	74.9 ft	75.8 ft
30.0ft	131 LUX	89.8 ft	90.9 ft

Vert. Spread: 112.5°
Horiz. Spread: 113.1°

Isolux Plot

