

LED HIGH BAY BOLHBA

DESCRIPTION

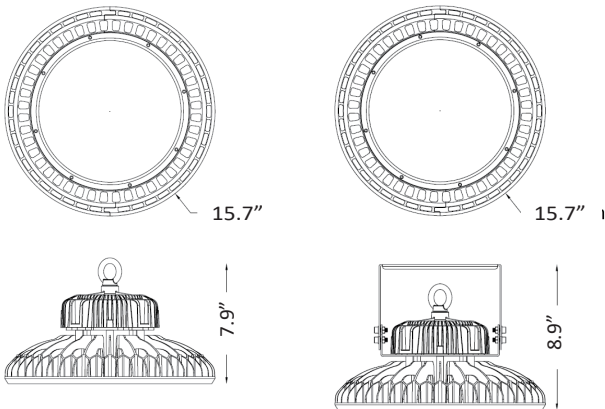
Providing contemporary design, excellent performance and outstanding energy efficiency in large interior spaces such as gyms, churches, shopping malls, showrooms, warehouses and heavy industrial settings, Blue Ocean's BOLHBA series LED High Bay offers a variety of wattage versions and colour temperatures, and is constructed of stylish and fashionable sporty shaped aluminum housing together with a transparent tempered glass (120° beam angle), providing evenly distributed general lighting solutions. With Meanwell's latest HGB series driver applied, high power factor, safety and stability are guaranteed. High-quality, super bright LED source ensures the high luminous efficiency drives up to 130LM/W. Highly efficient thermal control system enables maximum heat dissipation for LED sources to consistently run cooler for stable performance and even prolonged lifespan. Fixture is IP65 rated for damp locations and 1-10V dimmable.



SPECIFICATION CHART

Model	BOLHBA200WL1XXD
Voltage	100-277VAC 50/60Hz
Wattage	200W
Replacement	750W HPS/MH
Lumen Output	24000-25000lm
CRI	>80
PFC	>0.9
CCT	4000K 5000K 5700K
Housing	Aluminum
Beam Angle	120°
Installation	Suspended Mount Wall Mount
Operating Temp.	-40~40°C

DRAWING

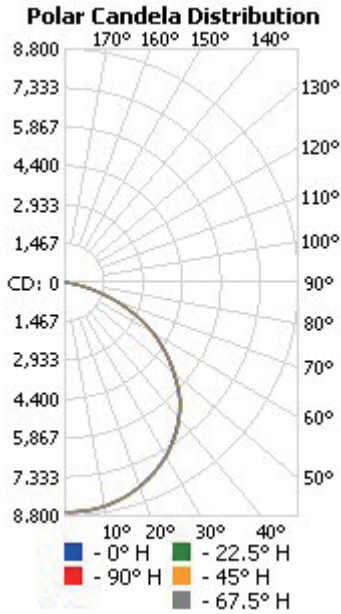


ORDERING INFORMATION

Series No. BOLHBA	Wattage 200W=200W	Lens Type L1=L1 type 120°	CCT 40=4000K 50=5000K 57=5700K	Dimming D=1-10V Dimming	Mounting Blank=Pendant WM=Wall Mount Bracket
-----------------------------	-----------------------------	-------------------------------------	--	-----------------------------------	---

PHOTOMETRIC SPEC

BLUE OCEAN LIGHTING™
BOLHBA200WL140D
30' Mounting Height



Illuminance at a Distance

	Center Beam LUX	Beam Width	
5.0ft	3,740 LUX	15.1 ft	15.1 ft
10.0ft	935 LUX	30.2 ft	30.3 ft
15.0ft	416 LUX	45.3 ft	45.4 ft
20.0ft	234 LUX	60.5 ft	60.5 ft
25.0ft	150 LUX	75.6 ft	75.6 ft
30.0ft	104 LUX	90.7 ft	90.8 ft

■ Vert. Spread: 113.0°
■ Horiz. Spread: 113.1°

