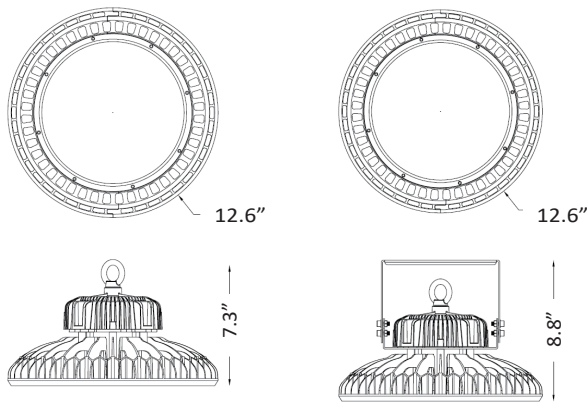


LED HIGH BAY BOLHBA

DESCRIPTION

Providing contemporary design, excellent performance and outstanding energy efficiency in large interior spaces such as gyms, churches, shopping malls, showrooms, warehouses and heavy industrial settings, Blue Ocean's BOLHBA series LED High Bay offers a variety of wattage versions and colour temperatures, and is constructed of stylish and fashionable sporty shaped aluminum housing together with a transparent tempered glass (120° beam angle), providing evenly distributed general lighting solutions. With Meanwell's latest HGB series driver applied, high power factor, safety and stability are guaranteed. High-quality, super bright LED source ensures the high luminous efficiency drives up to 130LM/W. Highly efficient thermal control system enables maximum heat dissipation for LED sources to consistently run cooler for stable performance and even prolonged lifespan. Fixture is IP65 rated for damp locations and 1-10V dimmable.

DRAWING



ORDERING INFORMATION

Series No.
BOLHBA

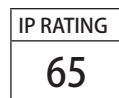
Wattage
150W=150W

Lens Type
L1 =L1 type 120°

CCT
40=4000K
50=5000K
57=5700K

Dimming
D=1-10V Dimming

Mounting
Blank=Pendant
WM=Wall Mount Bracket

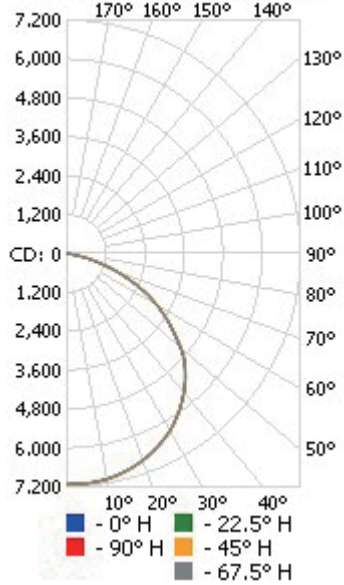


SPECIFICATION CHART

Model	BOLHBA150WL1XXD
Voltage	100-277VAC
Wattage	150W
Replacement	400W HPS/MH
Lumen Output	19500-20500lm
CRI	>80
PFC	>0.9
CCT	4000K 5000K 5700K
Beam Angle	120°
Dimension	φ12.6" X 7.3"
Weight	11.7lbs
Operating Temperature	-40~40°C

PHOTOMETRIC SPEC

Polar Candela Distribution



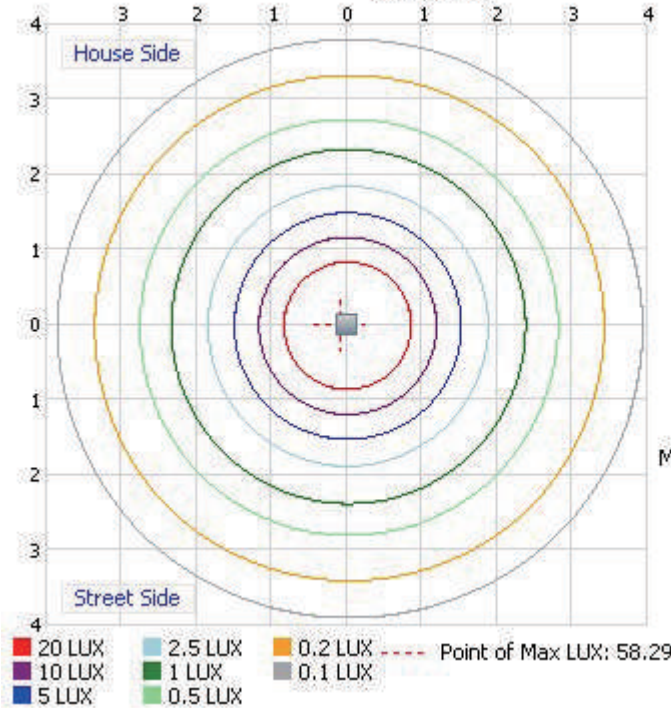
BLUE OCEAN LIGHTING™
BOLHBA150WL140D
30' Mounting Height

Illuminance at a Distance

Distance	Center Beam LUX	Beam Width
5.0ft	3,074 LUX	15.2 ft 15.4 ft
10.0ft	769 LUX	30.5 ft 30.9 ft
15.0ft	342 LUX	45.7 ft 46.3 ft
20.0ft	192 LUX	61.0 ft 61.7 ft
25.0ft	123 LUX	76.2 ft 77.2 ft
30.0ft	85.4 LUX	91.5 ft 92.6 ft

Vert. Spread: 113.5°
Horiz. Spread: 114.1°

Isolux Plot



Mount Height: 30ft
Grid Width: 120ft
Total LLF: 0.69