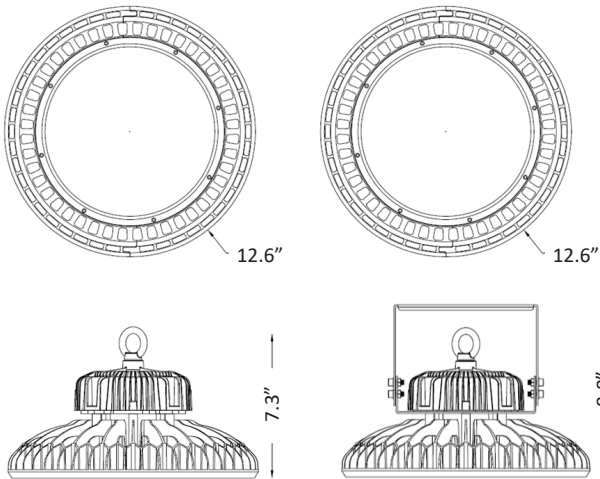


LED ECO HIGH BAY BOLHBA

DESCRIPTION

Providing contemporary design, excellent performance and outstanding energy efficiency in large interior spaces such as gyms, churches, shopping malls, showrooms, warehouses and heavy industrial settings, Blue Ocean's BOLHBA series LED High Bay offers a variety of wattage versions and colour temperatures, and is constructed of stylish and fashionable sporty shaped aluminum housing together with a transparent tempered glass (120° beam angle), providing evenly distributed general lighting solutions. With Meanwell's latest HGB series driver applied, high power factor, safety and stability are guaranteed. High-quality, super bright LED source ensures the high luminous efficiency drives up to 130LM/W. Highly efficient thermal control system enables maximum heat dissipation for LED sources to consistently run cooler for stable performance and even prolonged lifespan. Fixture is IP65 rated for damp locations and 1-10V dimmable.

DRAWING



SPECIFICATION CHART

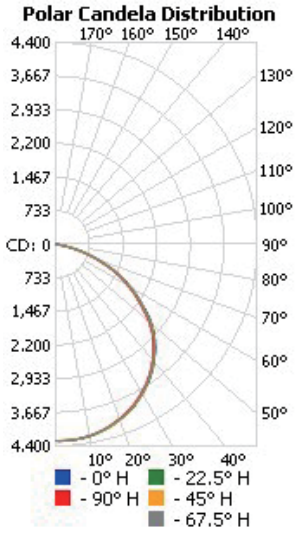
Model	BOLHBA100WL1XXD
Voltage	100-277VAC
Wattage	100W
Replacement	250W HPS/MH
Lumen Output	11500-12500lm
CRI	>80
PFC	>0.9
CCT	4000K 5000K 5700K
Beam Angle	120°
Dimension	φ12.6"X7.3"
Weight	10.8lbs
Operating Temperature	-40~40°C

ORDERING INFORMATION

Series No. BOLHBA	Wattage 100W=100W	Lens Type L1=L1 type 120°	CCT 40=4000K 50=5000K 57=5700K	Dimming D=1-10V Dimming	Mounting Blank=Pendant WM=Wall Mount Bracket
-----------------------------	-----------------------------	-------------------------------------	--	-----------------------------------	---

PHOTOMETRIC SPEC

BLUE OCEAN LIGHTING™
BOLHBA100WL140D
 30' Mounting Height



Illuminance at a Distance

Distance	Center Beam LUX	Beam Width
5.0ft	1,852 LUX	15.0 ft 15.1 ft
10.0ft	463 LUX	30.1 ft 30.2 ft
15.0ft	206 LUX	45.1 ft 45.3 ft
20.0ft	116 LUX	60.2 ft 60.4 ft
25.0ft	74.1 LUX	75.2 ft 75.5 ft
30.0ft	51.5 LUX	90.3 ft 90.6 ft

Vert. Spread: 112.8°
 Horiz. Spread: 113.0°

