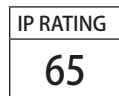


LED FLOOD LIGHT

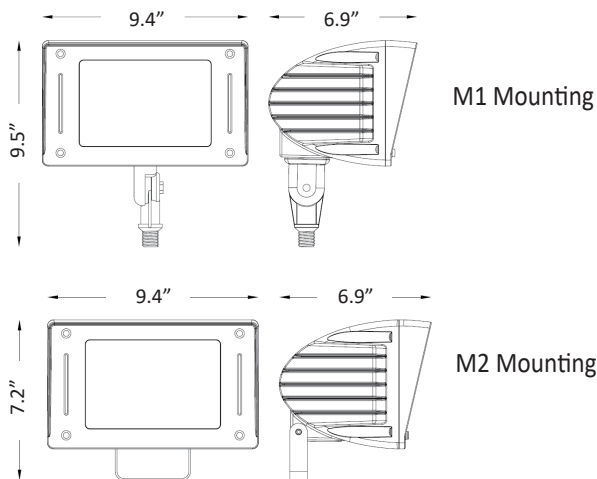
BOLFLA

DESCRIPTION

Designed to be an excellent replacement for traditional Metal Halide or HPS flood lights in multiple applications including parks, libraries, supermarkets, railway stations, signage etc., Blue Ocean's BOLFLA Flood Light Series utilizes high-efficacy PHILIPS LUMILEDS LED modules and high performance driver to ensure stable performance, great brightness uniformity, energy efficiency, and colour consistency. Constructed of die-cast aluminum housing and stalinite, fixture is IP65 rated, rust and corrosion proof, and sealed to be free from contaminants, bugs and rain. Featuring trunnion mounting, or knuckle mounting, Fixture is easy to install and operate, with instant start, no flickering, no humming and long lifespan. Professional heatsink maximizes the heat transformation inside the fixture to protect the LED source to even prolong the life of LED chips.



DRAWING



SPECIFICATION CHART

Model	BOLFLA40WL2XX
Voltage	100-277VAC
Wattage	40W
Replacement	150W HPS/MH
Lumen Output	4200-4600lm
CRI	>70
PFC	>0.9
CCT	3000K 3500K 4000K 5000K 5700K
Beam Angle	110°
Dimension	9.4"X6.9"X9.5" 9.4"X6.9"X7.2"
Weight	7.5lbs
Operating Temperature	-20~40°C

ORDERING INFORMATION

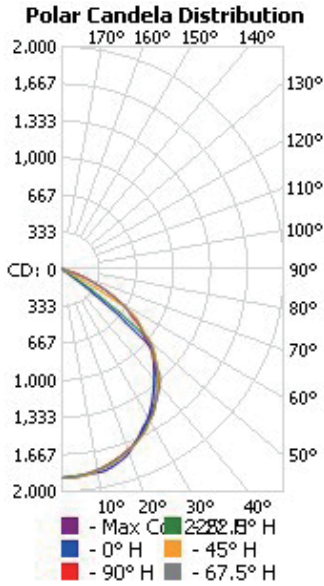
Series No. BOLFLA	Wattage 40W=40W	Lens Type L2=Type 2 Lens 110° Clear	CCT 30=3000K 35=3500K 40=4000K 50=5000K 57=5700K	Mounting M1=Knuckle Mount M2=Trunnion Mount
-----------------------------	---------------------------	---	--	--

PHOTOMETRIC SPEC

BLUE OCEAN LIGHTING™

BOLFLA40WL230M1

16' Mounting Height



Illuminance at a Distance

Distance	Center Beam LUX	Beam Width	Beam Width (ft)
2.7ft	2,782 LUX	6.8 ft	6.7 ft
5.3ft	722 LUX	13.3 ft	13.1 ft
8.0ft	317 LUX	20.0 ft	19.8 ft
10.7ft	177 LUX	26.8 ft	26.5 ft
13.3ft	115 LUX	33.3 ft	32.9 ft
16.0ft	79.2 LUX	40.0 ft	39.6 ft

■ Vert. Spread: 102.7°
■ Horiz. Spread: 102.1°

