

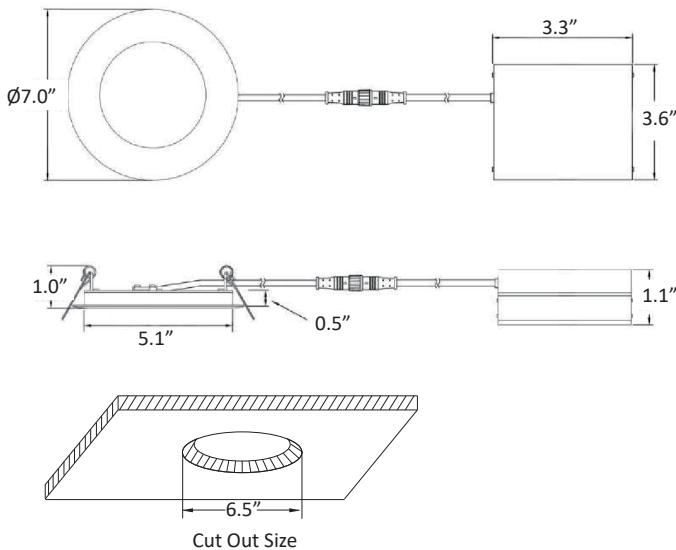
## LED Slim Panel Downlight - 6" BOL-SRP

### DESCRIPTION

As an excellent solution to shallow ceiling's down lighting in homes, offices and hotel lobbies where the room above the ceiling can hardly accommodate a can, Blue Ocean's BOL-SRP LED Slim Panel Downlight series features a super slim design – only 0.5" thickness with firmly securing side clicks. Together with a junction box attached, quick and easy installation in minutes is ensured, as well as excellent performance for years to come. Featuring aluminum die-cast housing with baking varnish finishing, this Ultra-slim Recessed Downlight helps promote an aesthetically pleasing, simple and elegant ambience. High quality SMD2835 LED chips and 0.95 high PFC driver in an isolated external junction box are utilized to ensure excellent luminous efficiency, colour consistency and stable performance. Fixture is IP43 rated and suitable for damp locations. Type IC rated and Airtight, this slim panel downlight is approved for direct contact with insulation, together with fine technology to reduce both heat and cooling cost.



### DRAWING



IP RATING  
**43**

**5**  
YEAR  
WARRANTY

**ETL**  
US  
Intertek

**ENERGY STAR**

### SPECIFICATION CHART

Model	BOL-SRP-6-15W
Voltage	120VAC
Wattage	15W
Replacement	120W Incandescent
Lumen Output	1200lm
CRI	>80
PFC	>0.95
CCT	2700K   3000K   4000K   5000K
Beam Angle	120°
Installation	Recessed Mount
IC Rated	Type-IC & Air-Tight
Damp Rated	Yes
Operating Temperature	-40~50°C

### ORDERING INFORMATION

Series No.  
**BOL-SRP**

Size  
**6=6inch**

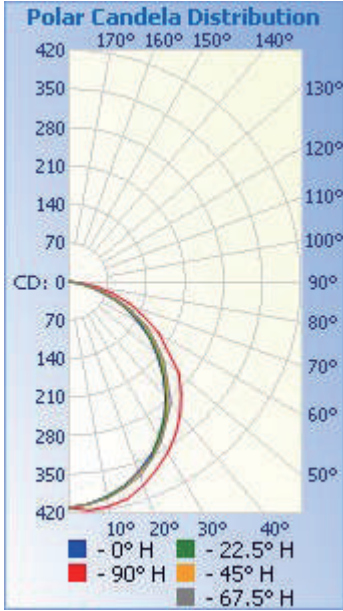
Wattage  
**15W=15W**

CCT  
**27=2700K**  
**30=3000K**  
**40=4000K**  
**50=5000K**

Input Voltage  
**120=120VAC**

Dimming  
**D=Triac Dimming**

**PHOTOMETRIC SPEC**



**BLUE OCEAN LIGHTING™**  
**BOLSRP615W**  
 15' Mounting Height

**Illuminance at a Distance**

	Center Beam LUX	Beam Width	
2.5ft	<b>704 LUX</b>	<b>6.8 ft</b>	<b>7.0 ft</b>
5.0ft	<b>176 LUX</b>	<b>13.6 ft</b>	<b>14.0 ft</b>
7.5ft	<b>78.2 LUX</b>	<b>20.5 ft</b>	<b>21.0 ft</b>
10.0ft	<b>44.0 LUX</b>	<b>27.3 ft</b>	<b>28.0 ft</b>
12.5ft	<b>28.1 LUX</b>	<b>34.1 ft</b>	<b>35.0 ft</b>
15.0ft	<b>19.5 LUX</b>	<b>40.9 ft</b>	<b>42.0 ft</b>

■ Vert. Spread: 107.5°  
 ■ Horiz. Spread: 108.9°

**Coefficients Of Utilization - Zonal Cavity Method**

Effective Floor Cavity Reflectance: 20%

RCC %:	80		70		50		30		10		0							
RW %:	<u>70</u>	<u>50</u>	<u>30</u>	<u>0</u>	<u>70</u>	<u>50</u>	<u>30</u>	<u>0</u>	<u>50</u>	<u>30</u>	<u>20</u>	<u>50</u>	<u>30</u>	<u>20</u>	<u>50</u>	<u>30</u>	<u>20</u>	<u>0</u>
RCR: 0	1.19	1.19	1.19	1.19	1.16	1.16	1.16	1.00	1.11	1.11	1.11	1.06	1.06	1.06	1.02	1.02	1.02	1.00
1	1.09	1.04	1.00	.96	1.06	1.02	.98	.85	.98	.95	.92	.94	.91	.89	.90	.88	.86	.84
2	.99	.91	.84	.79	.96	.89	.83	.72	.85	.80	.76	.82	.78	.74	.79	.76	.72	.70
3	.90	.80	.72	.65	.88	.78	.71	.61	.75	.69	.64	.73	.67	.63	.70	.65	.61	.59
4	.83	.71	.62	.55	.80	.70	.61	.52	.67	.60	.54	.65	.59	.54	.63	.57	.53	.51
5	.76	.63	.54	.48	.74	.62	.54	.46	.60	.53	.47	.58	.52	.47	.56	.51	.46	.44
6	.70	.57	.48	.42	.68	.56	.48	.40	.54	.47	.41	.53	.46	.41	.51	.45	.40	.38
7	.65	.52	.43	.37	.63	.51	.43	.36	.49	.42	.37	.48	.41	.36	.47	.41	.36	.34
8	.61	.47	.39	.33	.59	.47	.38	.32	.45	.38	.33	.44	.37	.32	.43	.37	.32	.30
9	.57	.43	.35	.30	.55	.43	.35	.29	.42	.34	.29	.41	.34	.29	.40	.34	.29	.27
10	.53	.40	.32	.27	.52	.40	.32	.26	.39	.32	.27	.38	.31	.27	.37	.31	.26	.25

**Zonal Lumen Summary**

Zone	Lumens	% Lamp	% Luminaire
0-30	315.3	28.1%	28.2%
0-40	513.9	45.8%	45.9%
0-60	896.6	80%	80%
60-90	223.2	19.9%	19.9%
70-100	89.6	8%	8%
90-120	0.3	0%	0%
0-90	1,119.8	99.9%	100%
90-180	0.3	0%	0%
0-180	1,120.1	99.9%	100%

**Lumens Per Zone**

Zone	Lumens	% Total	Zone	Lumens	% Total
0-10	38.6	3.4%	90-100	0.3	0%
10-20	110.4	9.9%	100-110	0	0%
20-30	166.3	14.8%	110-120	0	0%
30-40	198.6	17.7%	120-130	0	0%
40-50	202.8	18.1%	130-140	0	0%
50-60	179.9	16.1%	140-150	0	0%
60-70	133.9	12.0%	150-160	0	0%
70-80	72.2	6.4%	160-170	0	0%
80-90	17.1	1.5%	170-180	0	0%