

LED Slim Panel Downlight - 4"

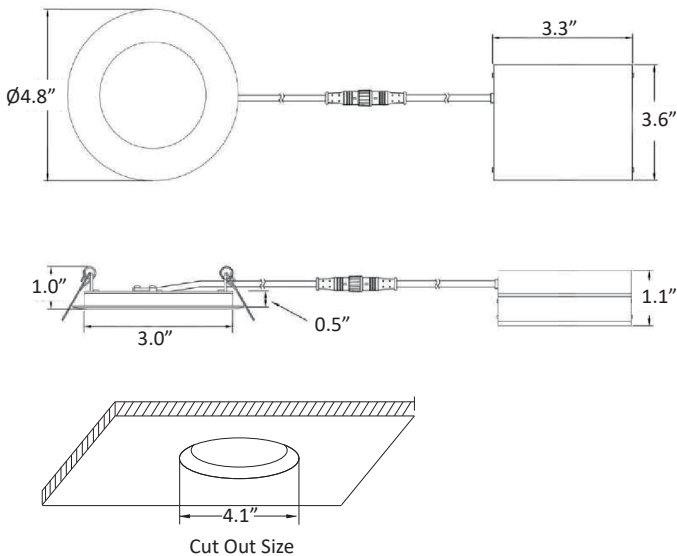
BOL-SRP

DESCRIPTION

As an excellent solution to shallow ceiling's down lighting in homes, offices and hotel lobbies where the room above the ceiling can hardly accommodate a can, Blue Ocean's BOL-SRP LED Slim Panel Downlight series features a super slim design with firmly securing side clicks, ensuring quick and easy installation in minutes and excellent performance for years to come. Featuring aluminum die-cast housing with baking varnish finishing, this Ultra-slim Recessed Downlight helps promote an aesthetically pleasing, simple and elegant ambience. High quality SMD2835 LED chips and 0.95 high PFC driver in an isolated external junction box are utilized to ensure excellent luminous efficiency, colour consistency and stable performance. Fixture is IP43 rated and suitable for damp locations. Type IC rated and Airtight, this slim panel downlight is approved for direct contact with insulation, together with fine technology to reduce both heat and cooling cost.



DRAWING



IP RATING
43

5
YEAR
WARRANTY

ETL
Intertek

ENERGY STAR

SPECIFICATION CHART

Model	BOL-SRP-4-10W
Voltage	120VAC
Wattage	10W
Replacement	65W Incandescent
Lumen Output	650lm
CRI	>80
PFC	>0.95
CCT	2700K 3000K 4000K 5000K
Beam Angle	120°
Installation	Recessed Mount
IC Rated	Type-IC & Air-Tight
Damp Rated	Yes
Operating Temperature	-40~50°C

ORDERING INFORMATION

Series No.
BOL-SRP

Size
4=4inch

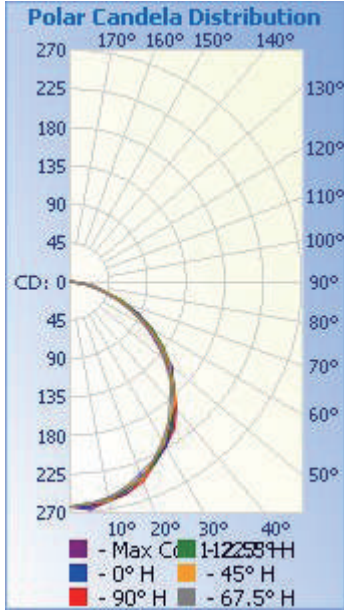
Wattage
10W=10W

CCT
27=2700K
30=3000K
40=4000K
50=5000K

Input Voltage
120=120VAC

Dimming
D=Triac Dimming

PHOTOMETRIC SPEC



BLUE OCEAN LIGHTING™
BOLSRP410W
 15' Mounting Height

Illuminance at a Distance

Distance	Center Beam LUX	Beam Width
2.5ft	451 LUX	6.5 ft
5.0ft	113 LUX	13.0 ft
7.5ft	50.1 LUX	19.5 ft
10.0ft	28.2 LUX	26.0 ft
12.5ft	18.0 LUX	32.5 ft
15.0ft	12.5 LUX	39.0 ft

Vert. Spread: 104.8°
 Horiz. Spread: 104.6°

Coefficients Of Utilization - Zonal Cavity Method

Effective Floor Cavity Reflectance: 20%

RCC %:	80		70		50		30		10		0							
RW %:	70	50	30	0	70	50	30	0	50	30	20	50	30	20	50	30	20	0
RCR: 0	1.19	1.19	1.19	1.19	1.16	1.16	1.16	1.00	1.11	1.11	1.11	1.06	1.06	1.06	1.02	1.02	1.02	1.00
1	1.09	1.05	1.01	.98	1.07	1.03	.99	.86	.99	.96	.93	.95	.92	.90	.91	.89	.87	.85
2	1.00	.92	.86	.80	.97	.90	.84	.73	.87	.82	.78	.84	.79	.76	.81	.77	.74	.72
3	.91	.81	.74	.67	.89	.80	.73	.63	.77	.71	.66	.74	.69	.64	.72	.67	.63	.61
4	.84	.72	.64	.57	.82	.71	.63	.54	.69	.62	.56	.66	.60	.55	.64	.59	.55	.53
5	.77	.65	.56	.50	.75	.64	.56	.48	.62	.54	.49	.60	.53	.48	.58	.52	.48	.46
6	.71	.58	.50	.44	.70	.58	.49	.42	.56	.48	.43	.54	.48	.43	.53	.47	.42	.40
7	.66	.53	.45	.39	.65	.52	.44	.37	.51	.43	.38	.49	.43	.38	.48	.42	.38	.36
8	.62	.48	.40	.34	.60	.48	.40	.34	.46	.39	.34	.45	.39	.34	.44	.38	.34	.32
9	.58	.45	.36	.31	.56	.44	.36	.30	.43	.36	.31	.42	.35	.31	.41	.35	.30	.29
10	.54	.41	.33	.28	.53	.41	.33	.28	.40	.33	.28	.39	.32	.28	.38	.32	.28	.26

Zonal Lumen Summary

Zone	Lumens	% Lamp	% Luminaire
0-30	199.7	29.8%	29.8%
0-40	324.0	48.3%	48.3%
0-60	557.1	83%	83.1%
60-90	113.2	16.9%	16.9%
70-100	39.5	5.9%	5.9%
90-120	0	0%	0%
0-90	670.3	99.9%	100%
90-180	0	0%	0%
0-180	670.3	99.9%	100%

Lumens Per Zone

Zone	Lumens	% Total	Zone	Lumens	% Total
0-10	24.6	3.7%	90-100	0	0%
10-20	70.2	10.5%	100-110	0	0%
20-30	104.9	15.7%	110-120	0	0%
30-40	124.2	18.5%	120-130	0	0%
40-50	125.7	18.7%	130-140	0	0%
50-60	107.5	16.0%	140-150	0	0%
60-70	73.7	11.0%	150-160	0	0%
70-80	34.1	5.1%	160-170	0	0%
80-90	5.4	0.8%	170-180	0	0%