

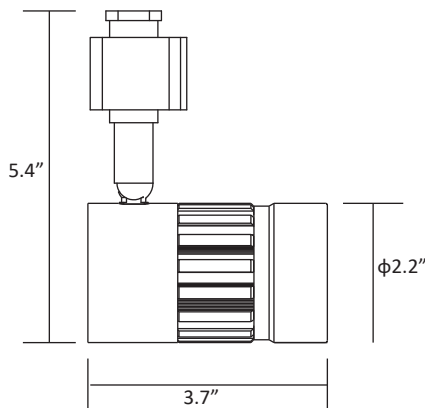
LED ROUND TRACK LIGHT BOL-ETL-R

DESCRIPTION

Offering high-quality, flexible and directional accent lighting in clothing stores, shops, galleries, museums and homes, Blue Ocean's BOL-ETL-R-8W LED Round Track Light series is energy-efficient, cost-saving and eco-friendly, uniquely designed in elegant cylinder shape in white, silver or black. Engineered with superior CREE COB chip, this track light series is assured of outstanding luminous efficiency, colour efficiency and extremely low lumens depreciation. Advanced dimmable LED driver is utilized allowing smooth dimming range from 10% to 100%. No shadow, no flickering, instant start and excellent penetrability are guaranteed by the advanced LED technology applied, with flexible design allowing the freedom to swivel and turn 350° horizontally and 90° vertically and beam angle available from 24° to 60°. High-efficient thermal control system allows LED source to consistently run cooler and reach its optimal performance.



DRAWING



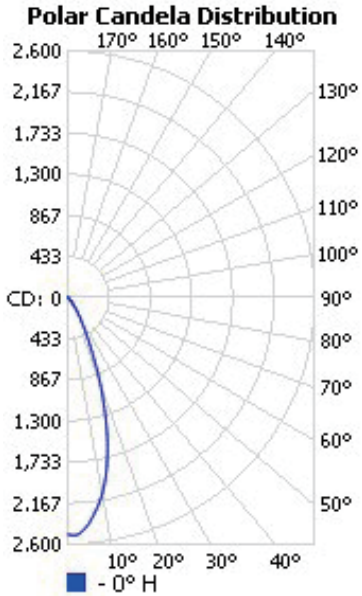
SPECIFICATION CHART

Model	BOL-ETL-R-8W
Voltage	120VAC 100-277VAC
Wattage	8W
Replacement	50W Halogen
Lumen Output	600lm
CRI	82
PFC	0.95
CCT	2700K 3000K 4000K 5000K
Beam Angle	38° 60°
Finish	White Black Silver
Operating Temp.	-20~40°C

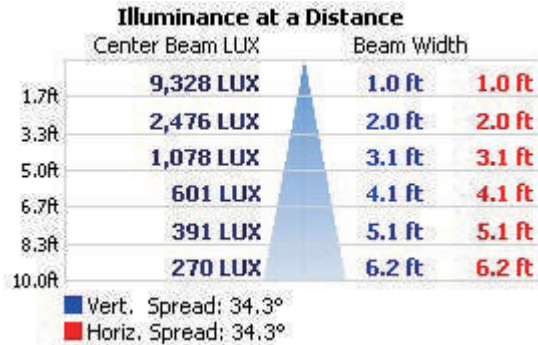
ORDERING INFORMATION

Series No. BOL-ETL-R	Wattage 8W=8W	Voltage U= 100-277VAC/120VAC	CCT 27=2700K 30=3000K 40=4000K 50=5000K	Beam Angle 38=38° 60=60°	Dimming TD=Triac Dimming N=Non-dimmable	Track Adapter H=H-Type J=J-Type L=L-Type	Finish WHT=White BLK=Black SIL=Silver
--------------------------------	-------------------------	--	--	---------------------------------------	--	--	---

PHOTOMETRIC SPEC



BLUE OCEAN LIGHTING™
BOLETLR8W 38°
 10' Mounting Height



Coefficients Of Utilization - Zonal Cavity Method

Effective Floor Cavity Reflectance: 20%

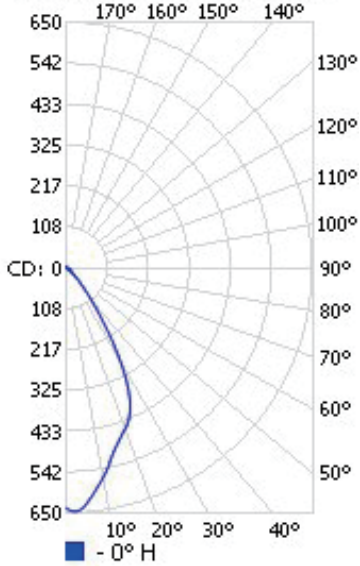
RCC %:	80				70				50				30				10				0
RW %:	70	50	30	0	70	50	30	0	50	30	20	50	30	20	50	30	20	50	30	20	0
RCR: 0	2.04	2.04	2.04	2.04	1.99	1.99	1.99	1.71	1.90	1.90	1.90	1.82	1.82	1.82	1.75	1.75	1.75	1.71	1.71	1.71	1.71
1	1.95	1.91	1.87	1.83	1.91	1.87	1.84	1.62	1.80	1.77	1.75	1.74	1.72	1.70	1.68	1.66	1.65	1.62	1.62	1.62	1.62
2	1.87	1.79	1.73	1.68	1.83	1.76	1.71	1.54	1.71	1.66	1.62	1.66	1.62	1.59	1.61	1.58	1.55	1.53	1.53	1.53	1.53
3	1.79	1.69	1.61	1.55	1.76	1.67	1.60	1.46	1.62	1.56	1.51	1.58	1.53	1.49	1.54	1.50	1.47	1.44	1.44	1.44	1.44
4	1.71	1.60	1.51	1.45	1.68	1.58	1.50	1.39	1.54	1.48	1.42	1.51	1.45	1.41	1.48	1.43	1.39	1.37	1.37	1.37	1.37
5	1.64	1.52	1.43	1.37	1.62	1.50	1.42	1.32	1.47	1.40	1.35	1.45	1.38	1.34	1.42	1.37	1.32	1.30	1.30	1.30	1.30
6	1.58	1.45	1.36	1.29	1.56	1.43	1.35	1.26	1.41	1.33	1.28	1.39	1.32	1.27	1.36	1.31	1.26	1.24	1.24	1.24	1.24
7	1.52	1.38	1.29	1.23	1.50	1.37	1.29	1.20	1.35	1.27	1.22	1.33	1.26	1.21	1.31	1.25	1.21	1.19	1.19	1.19	1.19
8	1.46	1.32	1.23	1.17	1.44	1.31	1.23	1.15	1.29	1.22	1.16	1.28	1.21	1.16	1.26	1.20	1.16	1.13	1.13	1.13	1.13
9	1.41	1.27	1.18	1.12	1.39	1.26	1.18	1.11	1.24	1.17	1.12	1.23	1.16	1.11	1.22	1.15	1.11	1.09	1.09	1.09	1.09
10	1.36	1.22	1.13	1.07	1.34	1.21	1.13	1.06	1.20	1.12	1.07	1.18	1.12	1.07	1.17	1.11	1.06	1.05	1.05	1.05	1.05

Zonal Lumen Summary			
Zone	Lumens	% Lamp	% Luminaire
0-30	862.9	143%	83.4%
0-40	957.8	158.7%	92.6%
0-60	1,011.5	167.6%	97.8%
60-90	23.0	3.8%	2.2%
0-90	1,034.4	171.4%	100%

Lumens Per Zone		
Zone	Lumens	% Total
0-10	215.2	20.8%
10-20	407.4	39.4%
20-30	240.4	23.2%
30-40	94.8	9.2%
40-50	33.0	3.2%
50-60	20.7	2.0%
60-70	14.1	1.4%
70-80	7.3	0.7%
80-90	1.5	0.1%

PHOTOMETRIC SPEC

Polar Candela Distribution



BLUE OCEAN LIGHTING™

BOLETLR8W 60°

10' Mounting Height

Illuminance at a Distance

	Center Beam LUX	Beam Width	
1.7ft	2,361 LUX	1.7 ft	1.7 ft
3.3ft	627 LUX	3.3 ft	3.3 ft
5.0ft	273 LUX	5.0 ft	5.1 ft
6.7ft	152 LUX	6.8 ft	6.8 ft
8.3ft	99.0 LUX	8.4 ft	8.4 ft
10.0ft	68.2 LUX	10.1 ft	10.1 ft

■ Vert. Spread: 53.6°
 ■ Horiz. Spread: 53.6°

Coefficients Of Utilization - Zonal Cavity Method

Effective Floor Cavity Reflectance: 20%

RCC %:	80		70		50		30		10		0							
RW %:	70	50	30	0	70	50	30	0	50	30	20	50	30	20	50	30	20	0
RCR: 0	.99	.99	.99	.99	.96	.96	.96	.83	.92	.92	.92	.88	.88	.88	.85	.85	.85	.83
1	.94	.92	.90	.88	.92	.90	.88	.78	.86	.85	.84	.83	.82	.81	.81	.80	.79	.77
2	.89	.85	.82	.79	.87	.84	.81	.72	.81	.78	.76	.78	.76	.75	.76	.75	.73	.72
3	.85	.79	.75	.72	.83	.78	.74	.67	.76	.73	.70	.74	.71	.69	.72	.70	.68	.66
4	.80	.74	.69	.66	.79	.73	.69	.63	.71	.68	.65	.70	.66	.64	.68	.65	.63	.62
5	.76	.69	.64	.61	.75	.69	.64	.59	.67	.63	.60	.66	.62	.59	.64	.61	.59	.58
6	.72	.65	.60	.56	.71	.64	.60	.55	.63	.59	.56	.62	.58	.55	.61	.58	.55	.54
7	.69	.61	.56	.53	.68	.61	.56	.52	.60	.55	.52	.59	.55	.52	.58	.54	.52	.51
8	.66	.58	.53	.49	.65	.57	.53	.49	.56	.52	.49	.55	.52	.49	.55	.51	.49	.47
9	.63	.55	.50	.46	.62	.54	.49	.46	.53	.49	.46	.53	.49	.46	.52	.48	.46	.45
10	.60	.52	.47	.44	.59	.51	.47	.43	.51	.46	.44	.50	.46	.43	.49	.46	.43	.42

Zonal Lumen Summary

Zone	Lumens	% Lamp	% Luminaire
0-30	347.7	59.9%	72.2%
0-40	434.1	74.8%	90.1%
0-60	472.2	81.3%	98%
60-90	9.6	1.6%	2%
70-100	3.2	0.6%	0.7%
90-120	0	0%	0%
0-90	481.8	82.9%	100%
90-180	0	0%	0%
0-180	481.8	82.9%	100%

Lumens Per Zone

Zone	Lumens	% Total	Zone	Lumens	% Total
0-10	54.8	11.4%	90-100	0	0%
10-20	133.2	27.7%	100-110	0	0%
20-30	159.7	33.2%	110-120	0	0%
30-40	86.4	17.9%	120-130	0	0%
40-50	27.2	5.7%	130-140	0	0%
50-60	10.8	2.2%	140-150	0	0%
60-70	6.4	1.3%	150-160	0	0%
70-80	2.8	0.6%	160-170	0	0%
80-90	0.4	0.1%	170-180	0	0%