

# LED FLOOD LIGHT

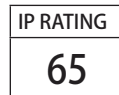
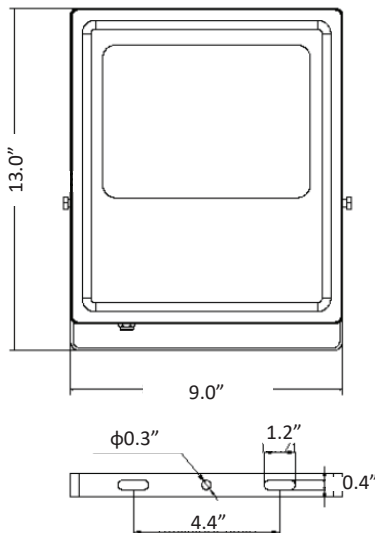
## BOL-EFL

### DESCRIPTION

Blue Ocean's 70W ECO LED Flood Light is designed to replace traditional energy-hungry and high-heat-generating at least 200W metal halide flood light or 280W Halogen lamp, with only 70W power consumption. This fixture utilizes innovative LED technology to reduce operational temperatures and narrow light distribution for higher energy efficiency. Superior LED source provides uniform color consistency and LED module is copper plated to achieve high thermal transfer rate. Completely sealed, shock, impact and weather resistant, easy to install in a 100-240, 277VAC environment in almost any angle with a yoke-style arm, it works in the environment from -40°C to 40°C and can stand the humidity range of 95% Rh or below.

Popular Applications: Building facade lighting, stadium lighting, large sign illumination etc.

### DRAWING



### SPECIFICATION CHART

Model	BOL-EFL-70W-XX
Voltage	100-240, 277VAC 50/60Hz
Wattage	70W
Replacement	200W HPS/MH
Lumen Output	5940-6160lm
CRI	70
PFC	0.9
CCT	4000K   5000K
Beam Angle	120°
Operating Temperature	-40~40°C

### ORDERING INFORMATION

**Series No.**  
BOL-EFL

**Wattage**  
70W=70W

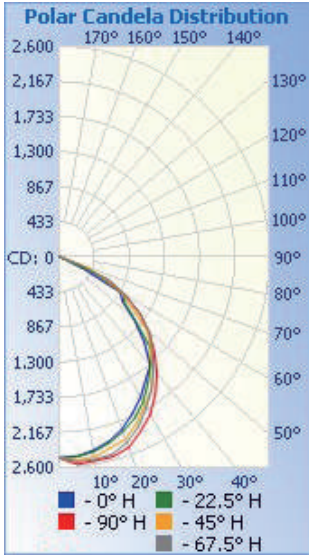
**CCT**  
40=4000K  
50=5000K

**Voltage**  
U=Universal 100-240, 277VAC

**Finish**  
Blank=Grey  
BLK=Black

**PHOTOMETRIC SPEC**

## BLUE OCEAN LIGHTING™ BOLEFL70W 20' Mounting Height



**Illuminance at a Distance**

Distance (ft)	Center Beam LUX	Beam Width
3.3ft	2,465 LUX	7.8 ft 8.9 ft
6.7ft	598 LUX	15.9 ft 18.0 ft
10.0ft	268 LUX	23.7 ft 26.9 ft
13.3ft	152 LUX	31.5 ft 35.7 ft
16.7ft	96.2 LUX	39.6 ft 44.9 ft
20.0ft	67.1 LUX	47.4 ft 53.7 ft

Vert. Spread: 99.6°  
 Horiz. Spread: 106.7°

