

# LED FLOOD LIGHT

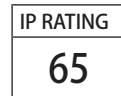
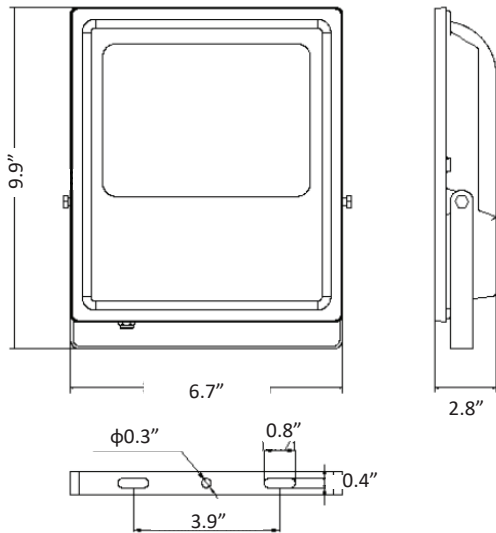
## BOL-EFL

### DESCRIPTION

Blue Ocean's 50W ECO LED Flood Light is designed to replace traditional energy-hungry and high-heat-generating at least 150W metal halide flood light or 200W Halogen lamp, with only 50W power consumption. This fixture utilizes innovative LED technology to reduce operational temperatures and narrow light distribution for higher energy efficiency. Superior LED source provides uniform colour consistency and LED module is copper plated to achieve high thermal transfer rate. Completely sealed, shock, impact and weather resistant, easy to install in a 100-240,277VAC environment in almost any angle with a yoke-style arm, it works in the environment from -40°C to 40°C and can stand the humidity range of 95% Rh or below.

Popular Applications: Building facade lighting, stadium lighting, large sign illumination etc.

### DRAWING



### SPECIFICATION CHART

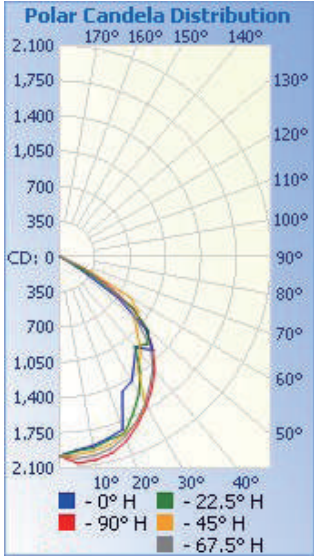
Model	BOL-EFL-50W-XX
Voltage	100-240,277VAC 50/60Hz
Wattage	50W
Replacement	150W HPS/MH
Lumen Output	4418-4613lm
CRI	70
PFC	0.9
CCT	4000K   5000K
Beam Angle	120°
Operating Temperature	-40~40°C

### ORDERING INFORMATION

<b>Series No.</b> BOL-EFL	<b>Wattage</b> 50W=50W	<b>CCT</b> 40=4000K 50=5000K	<b>Voltage</b> U=Universal 100-240,277VAC	<b>Finish</b> Blank=Grey BLK=Black
------------------------------	---------------------------	------------------------------------	--	--

**PHOTOMETRIC SPEC**

## BLUE OCEAN LIGHTING™ BOLEFL50W 20' Mounting Height



**Illuminance at a Distance**

Distance	Center Beam LUX	Beam Width
3.3ft	<b>1,962 LUX</b>	8.1 ft <b>8.3 ft</b>
6.7ft	<b>476 LUX</b>	16.3 ft <b>16.9 ft</b>
10.0ft	<b>214 LUX</b>	24.4 ft <b>25.3 ft</b>
13.3ft	<b>121 LUX</b>	32.5 ft <b>33.6 ft</b>
16.7ft	<b>76.6 LUX</b>	40.8 ft <b>42.2 ft</b>
20.0ft	<b>53.4 LUX</b>	48.8 ft <b>50.6 ft</b>

Vert. Spread: 101.3°  
 Horiz. Spread: 103.3°

