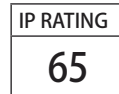


## LED FLOOD LIGHT BOL-EFL

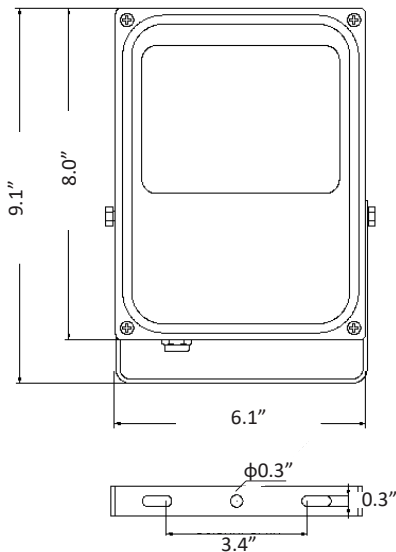
### DESCRIPTION

Blue Ocean's 35W ECO LED Flood Light is designed to replace traditional energy-hungry and high-heat-generating metal halide flood light or Halogen lamp, with 60%-70% less power consumption. This fixture utilizes innovative LED technology to reduce operational temperatures and narrow light distribution for higher energy efficiency. Superior LED source provides uniform colour consistency and LED module is copper plated to achieve high thermal transfer rate. Completely sealed, shock, impact and weather resistant, easy to install in a 100-240,277VAC environment in almost any angle with a yoke-style arm, it works in the environment from -40°C to 40°C and can stand the humidity range of 95% Rh or below.

Popular Applications: Building facade lighting, stadium lighting, large sign illumination etc.



### DRAWING



### SPECIFICATION CHART

Model	BOL-EFL-35W-XX
Voltage	100-240,277VAC 50/60Hz
Wattage	35W
Replacement	100W HPS/MH
Lumen Output	2920-3120lm
CRI	80
PFC	0.9
CCT	4000K   5000K
Beam Angle	120°
Operating Temperature	-40~40°C
Operating Humidity	95%Rh or below

### ORDERING INFORMATION

**Series No.**  
BOL-EFL

**Wattage**  
35W=35W

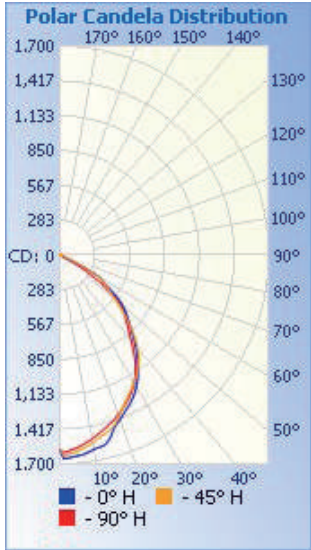
**CCT**  
40=4000K  
50=5000K

**Voltage**  
U=Universal 100-240,277VAC

**Finish**  
Blank=Grey  
BLK=Black

**PHOTOMETRIC SPEC**

**BLUE OCEAN LIGHTING™**  
**BOLEFL35W**  
 15' Mounting Height



**Illuminance at a Distance**

Distance	Center Beam LUX	Beam Width
2.5ft	2,733 LUX	4.9 ft 4.7 ft
5.0ft	683 LUX	9.8 ft 9.4 ft
7.5ft	304 LUX	14.8 ft 14.1 ft
10.0ft	171 LUX	19.7 ft 18.8 ft
12.5ft	109 LUX	24.6 ft 23.4 ft
15.0ft	75.9 LUX	29.5 ft 28.1 ft

Vert. Spread: 89.1°  
 Horiz. Spread: 86.3°

