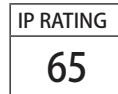


LED FLOOD LIGHT BOL-EFL

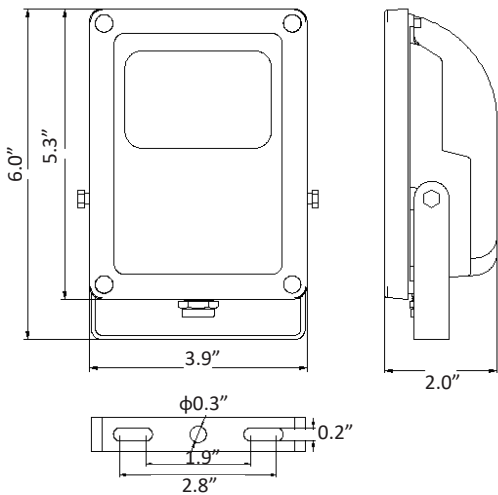
DESCRIPTION

Blue Ocean's 20W ECO LED Flood Light is designed to replace traditional energy-hungry and high-heat-generating metal halide flood light or Halogen lamp, with 60%-70% less power consumption. This fixture utilizes innovative LED technology to reduce operational temperatures and narrow light distribution for higher energy efficiency. Superior LED source provides uniform colour consistency and LED module is copper plated to achieve high thermal transfer rate. Completely sealed, shock, impact and weather resistant, easy to install in a 100-240,277VAC environment in almost any angle with a yoke-style arm, it works in the environment from -40°C to 40°C and can stand the humidity range of 95% Rh or below.

Popular Applications: Building facade lighting, stadium lighting, large sign illumination etc.



DRAWING



SPECIFICATION CHART

| | |
|-----------------------|------------------------|
| Model | BOL-EFL-20W-XX |
| Voltage | 100-240,277VAC 50/60Hz |
| Wattage | 20W |
| Replacement | 75W HPS/MH |
| Lumen Output | 1650-1750lm |
| CRI | 80 |
| PFC | 0.9 |
| CCT | 4000K 5000K |
| Beam Angle | 120° |
| Operating Temperature | -40~40°C |
| Operating Humidity | 95%Rh or below |

ORDERING INFORMATION

Series No.
BOL-EFL

Wattage
20W=20W

CCT
40=4000K
50=5000K

Voltage
U=Universal 100-240,277VAC

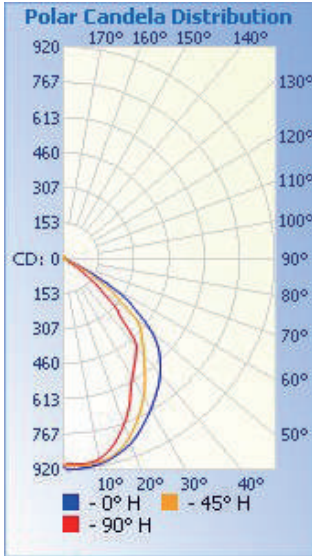
Finish
Blank=Grey
BLK=Black

PHOTOMETRIC SPEC

BLUE OCEAN LIGHTING™

BOLEFL20W

15' Mounting Height



Illuminance at a Distance

| | Center Beam LUX | Beam Width |
|--------|------------------|-----------------|
| 2.5ft | 1,553 LUX | 6.2 ft 4.7 ft |
| 5.0ft | 388 LUX | 12.3 ft 9.4 ft |
| 7.5ft | 173 LUX | 18.5 ft 14.0 ft |
| 10.0ft | 97.0 LUX | 24.7 ft 18.7 ft |
| 12.5ft | 62.1 LUX | 30.8 ft 23.4 ft |
| 15.0ft | 43.1 LUX | 37.0 ft 28.1 ft |

■ Vert. Spread: 102.0°
 ■ Horiz. Spread: 86.2°

