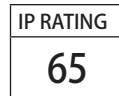


LED FLOOD LIGHT BOL-EFL

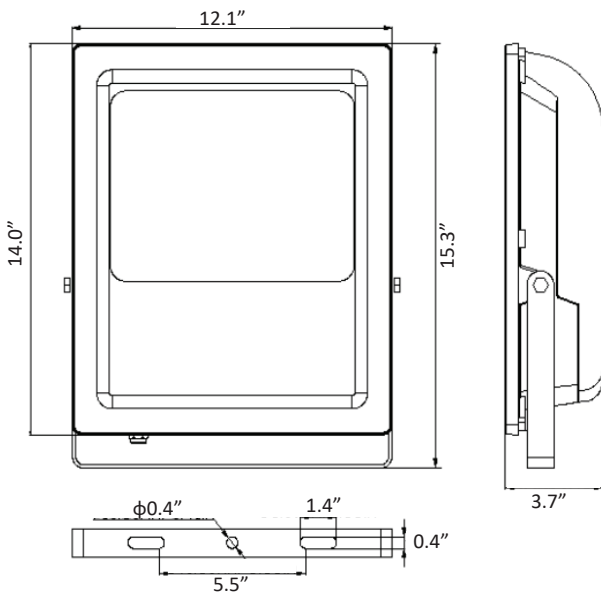
DESCRIPTION

Blue Ocean's 150W ECO LED Flood Light is designed to replace traditional energy-hungry and high-heat-generating metal halide flood light or Halogen lamp, with 60%-70% less power consumption. This fixture utilizes innovative LED technology to reduce operational temperatures and narrow light distribution for higher energy efficiency. Superior LED source provides uniform color consistency and LED module is copper plated to achieve high thermal transfer rate. Completely sealed, shock, impact and weather resistant, easy to install in a 100-240, 277VAC environment in almost any angle with a yoke-style arm, it works in the environment from -40°C to 40°C and can stand the humidity range of 95% Rh or below.

Popular Applications: Building facade lighting, stadium lighting, large sign illumination etc.



DRAWING



SPECIFICATION CHART

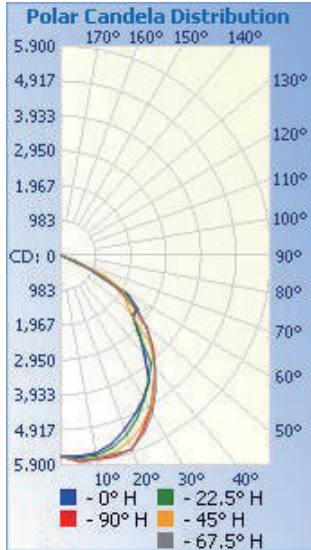
Model	BOL-EFL-150W-XX
Voltage	100-240, 277VAC 50/60Hz
Wattage	150W
Replacement	400W HPS/MH
Lumen Output	14870-14970lm
CRI	70
PFC	0.9
CCT	4000K 5000K
Beam Angle	120°
Operating Temperature	-40~40°C

ORDERING INFORMATION

Series No. BOL-EFL	Wattage 150W=150W	CCT 40=4000K 50=5000K	Voltage U=Universal 100-240, 277VAC	Finish Blank=Grey BLK=Black
------------------------------	-----------------------------	------------------------------------	---	--

PHOTOMETRIC SPEC

BLUE OCEAN LIGHTING™
BOLEFL150W
 30' Mounting Height



Illuminance at a Distance

Distance	Center Beam LUX	Beam Width
5.0ft	2,447 LUX	11.0 ft 13.6 ft
10.0ft	612 LUX	22.0 ft 27.2 ft
15.0ft	272 LUX	33.1 ft 40.7 ft
20.0ft	153 LUX	44.1 ft 54.3 ft
25.0ft	97.9 LUX	55.1 ft 67.9 ft
30.0ft	68.0 LUX	66.1 ft 81.5 ft

■ Vert. Spread: 95.6°
 ■ Horiz. Spread: 107.3°

