

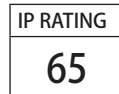
# LED FLOOD LIGHT

## BOL-EFL

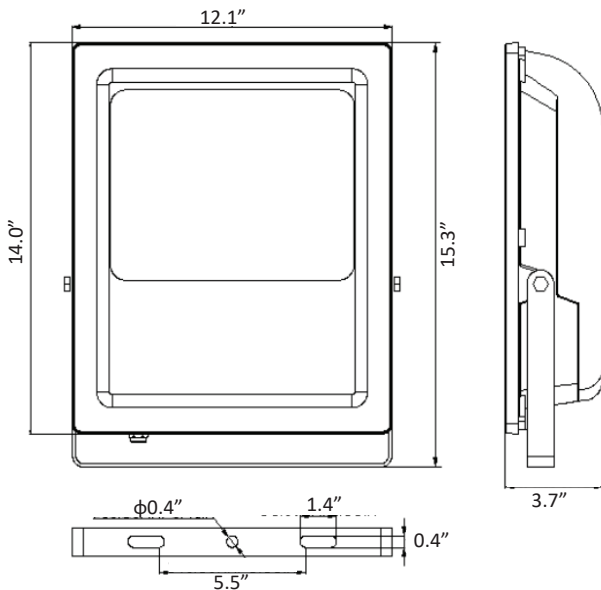
### DESCRIPTION

Blue Ocean's 100W ECO LED Flood Light is designed to replace traditional energy-hungry and high-heat-generating metal halide flood light or Halogen lamp, with 60%-70% less power consumption. This fixture utilizes innovative LED technology to reduce operational temperatures and narrow light distribution for higher energy efficiency. Superior LED source provides uniform color consistency and LED module is copper plated to achieve high thermal transfer rate. Completely sealed, shock, impact and weather resistant, easy to install in a 100-240, 277VAC environment in almost any angle with a yoke-style arm, it works in the environment from -40 °C to 40 °C and can stand the humidity range of 95% Rh or below.

Popular Applications: Building facade lighting, stadium lighting, large sign illumination etc.



### DRAWING



### SPECIFICATION CHART

Model	BOL-EFL-100W-L-XX
Voltage	100-240, 277VAC 50/60Hz
Wattage	100W
Replacement	250W HPS/MH
Lumen Output	8630-8915lm
CRI	70
PFC	0.9
CCT	4000K   5000K
Beam Angle	120°
Operating Temperature	-40~40°C

### ORDERING INFORMATION

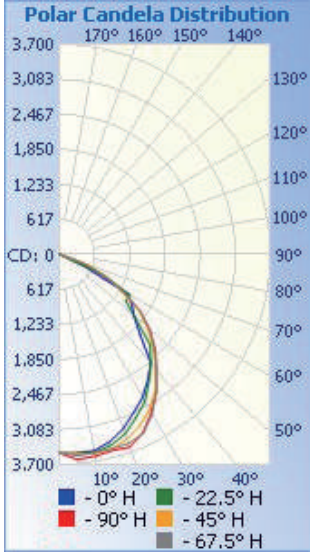
<b>Series No.</b> BOL-EFL	<b>Wattage</b> 100W=100W	<b>Type</b> L=Type L	<b>CCT</b> 40=4000K 50=5000K	<b>Voltage</b> U=Universal 100-240, 277VAC	<b>Finish</b> Blank=Grey BLK=Black
------------------------------	-----------------------------	-------------------------	------------------------------------	---	--

**PHOTOMETRIC SPEC**

## BLUE OCEAN LIGHTING™

### BOLEFL100W

20' Mounting Height



**Illuminance at a Distance**

Distance (ft)	Center Beam LUX	Beam Width
3.3ft	3,467 LUX	7.9 ft 9.0 ft
6.7ft	841 LUX	16.0 ft 18.2 ft
10.0ft	378 LUX	23.8 ft 27.2 ft
13.3ft	213 LUX	31.7 ft 36.1 ft
16.7ft	135 LUX	39.8 ft 45.4 ft
20.0ft	94.4 LUX	47.7 ft 54.3 ft

Vert. Spread: 100.0°  
Horiz. Spread: 107.3°

