

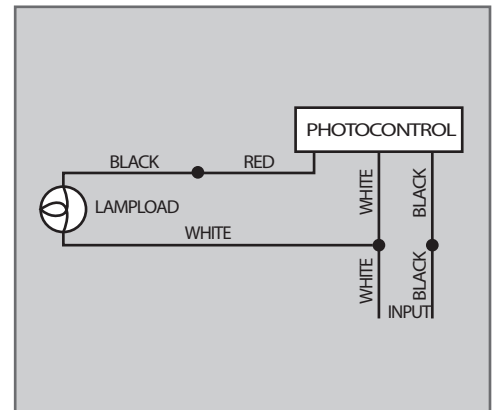
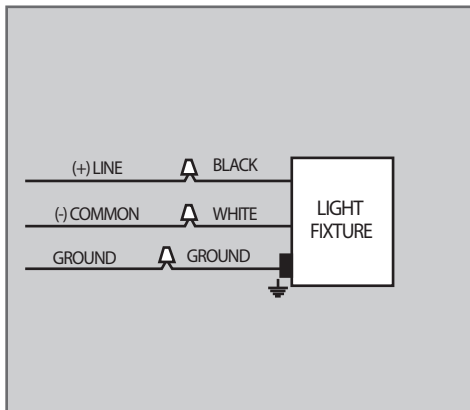
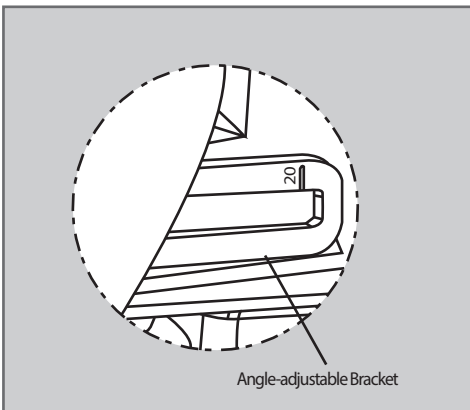
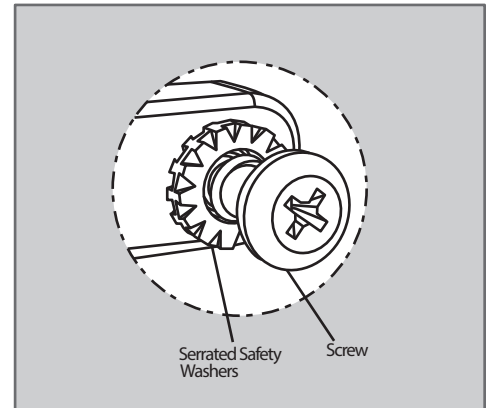
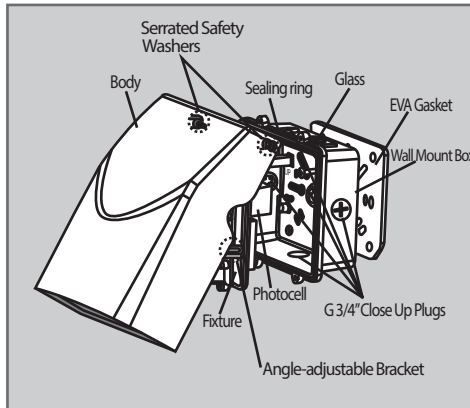
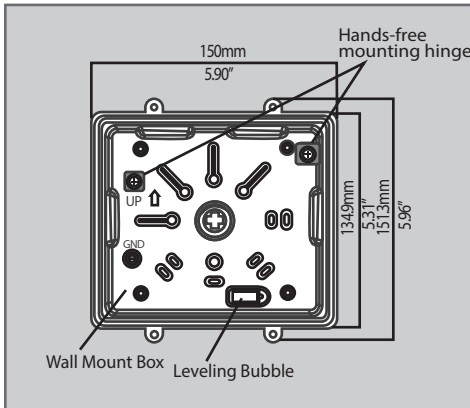
INSTALLATION MANUAL

LED CUT-OFF WALL PACK



1. To avoid electric shock, disconnect power at the source prior to installation.
2. The installation needs to be conducted by a certified electrician to ensure proper installation.
3. If there are problems with the fixture, turn off power and do not attempt to repair unless you are a certified electrician.
4. The electrical rating of this product is 120-277VAC or 347VAC (refer to product label to determine).
5. 120-277VAC version comes with a photocell. Please refer to the specs sheet for more information.
6. Read label information carefully to ensure proper input voltage for this product.

Installation



INSTALLATION MANUAL

LED CUT-OFF WALL PACK

Angle Adjustment

