

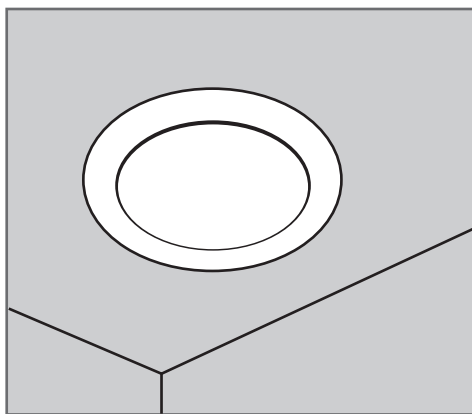
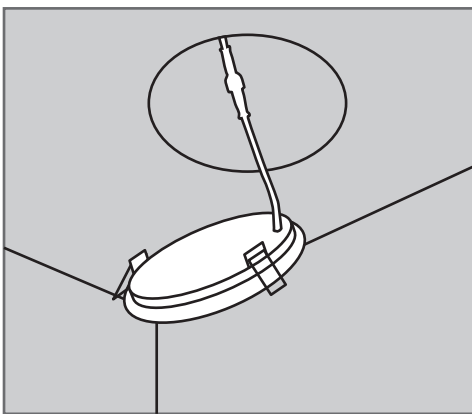
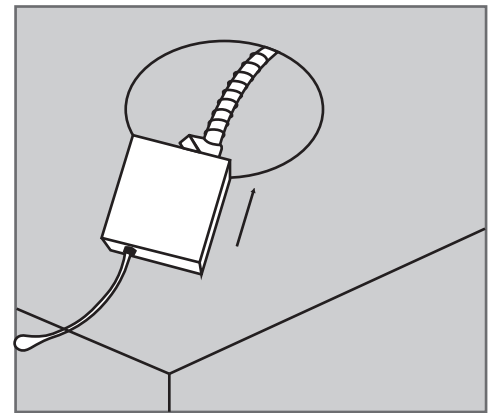
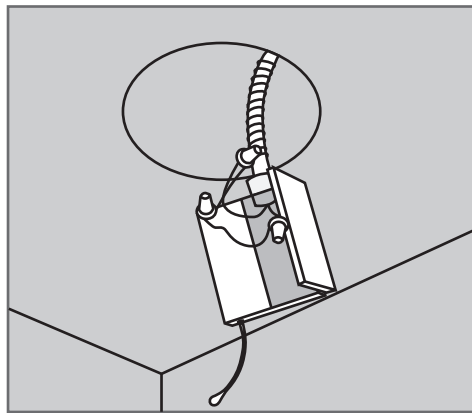
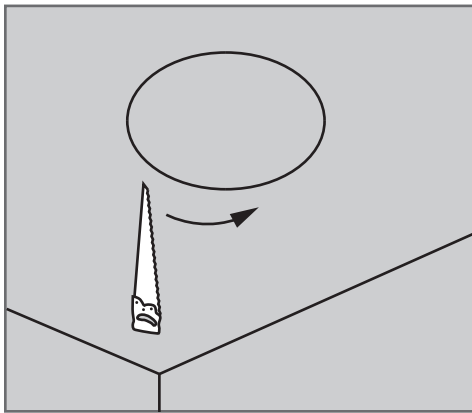
INSTALLATION MANUAL

LED SLIM DOWNLIGHT

 **WARNING**

1. To avoid electric shock, disconnect power at the source prior to installation.
2. The installation needs to be conducted by a certified electrician to ensure proper installation.
3. If there are problems with the fixture, turn off power and do not attempt to repair unless you are a certified electrician.
4. The electrical rating of this product is 120VAC.
5. Read label information carefully to ensure proper input voltage for this product.

Installation

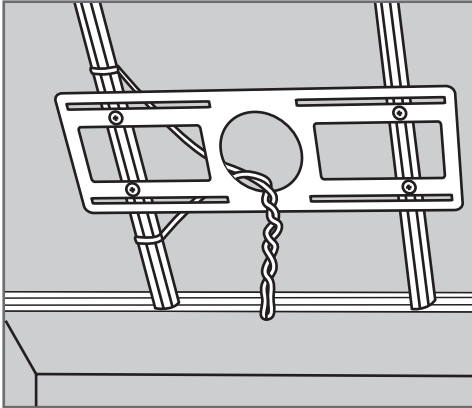




INSTALLATION MANUAL

LED SLIM DOWNLIGHT

New Construction Plate Installation-Commercial Metal Grid Ceiling



New Construction Plate Installation-Residential Wood Grid Ceiling

